

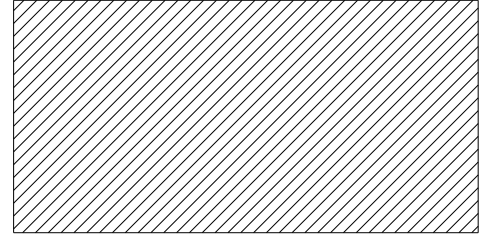
NORFAB 8' X 8' LI'L BEAR Playhouse

MATERIAL CHECKLIST

Norfab has taken great care to ensure all parts are of quality material and complete. Please check the unit over carefully. Should you experience any problems or have any questions, **DO NOT CALL THE STORE**, contact NorFab immediately at 1-800-465-2918.

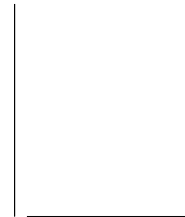
Floor Section

- 2 - 2x4 x 96" Treated
- 5 - 2x4 x 93" Treated
- 2 - 48" x 96" Floor Sheathing



Front Section

- 2 - Angle-cut front walls, 1 with pre hung door and 1 with window opening
- 1 - 2x3 x 54" Bottom Plate
- 1 - 2x3 x 14" Bottom Plate
- 1 - 2x3 x 91" Top Plate
- 6 - 2x3 x 63 _" square cut wall studs



Back Section

- 1 - 2x3 stud notched twice
- 2 - 2x3 studs notched once
- 2 - Angle-cut back walls, EZ Panel

Side Section

- 1 - 66 _" x 48" sheets EZ Panel
- 1 - 66 _" x 48" sheets EZ Panel - cut for side door
- 2 - 66 _" x 18" sheets EZ Panel
- 2 - 2x3 x 66" Top plates
- 1 - 2x3 x 32" Top plates (SIDE DOOR HEADER)
- 8 - 2x3 x 65" angle cut Wall studs
- 1 - 2x3 x 10 _" angle cut Wall stud
- 1 - Side wall door

Roof Section

- 2 - 5" x 66" Plywood soffit
- 2 - 9" x 96" sheets of 7/16" OSB
- 2 - 48" x 96" sheets of 7/16" OSB
- 12 - 2x3 x 58" Rafters
- 7 - Gussets

Porch Section

- 2 - 2x3 x 67" overhang supports
- 1 - 2x3 x 84" overhang support
- 2 - 28" x 26" Deck railings
- 1 - 52" x 26" Deck railing

Miscellaneous

- 4 - 1x6 x 58 3/4" front and back fascia boards
- 2 - 1x6 x 96" side fascia boards
- 2 - Latches for top and bottom door (one for each)
- 2 - handles for door
- 1 - Weather stripping for middle of door
- 1 - Bag 3" nails
- 1 - Bag 1 1/2" nails
- 1 - Bag of screws
- 2 - Window guides and window with hardware
- 2 - Barrel bolt latches
- 1 - Plexiglas window

NORFAB 8' x 8' LI'L BEAR Playhouse

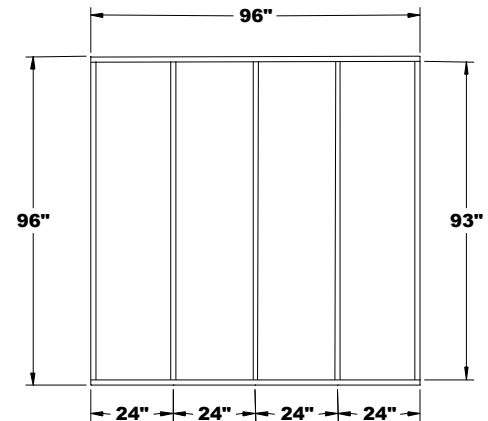
Floor Instruction Manual

Norfab has taken great care to ensure all parts are of quality material and complete. Please check the unit over carefully. Should you experience any problems or have any questions, **DO NOT CALL THE STORE**, contact NorFab immediately at 1-800-465-2918.

This floor will act as a flat surface to assemble your shed on.

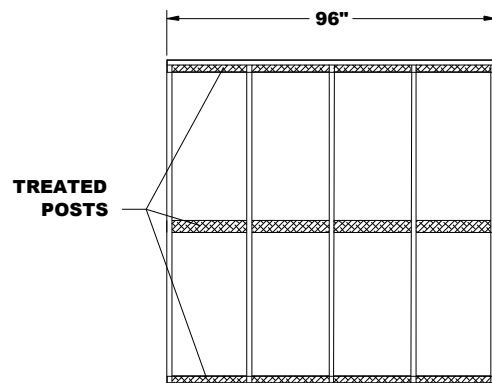
STEP 1:

Assemble the 2x4 floor frame by placing the 96" treated 2x4, on edge, along the outside of the frame and inserting the five treated 2x4 x 93" pieces between them, spacing them at 24" on center. Nail the outer plates to the ends of each 93" long studs with two 3" nails. Ensure that all studs are nailed flush with the adjoining plates.



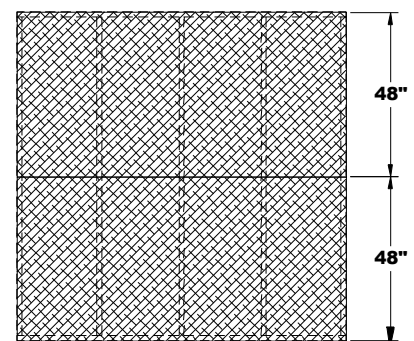
STEP 2:

Level the desired site of your new shed. It is suggested that you use 3 - 4x4 x 8' long treated posts (not supplied) to level the site and raise the floor off of the ground. Arrange these blockings as shown.



STEP 3:

Place the two sheets of 48" x 96" plywood on top of the frame, perpendicular to the 93" studs. Ensure that all edges of the plywood are flush with the frame before nailing the plywood to the frame with 1" nails. Nail at 12" oc around the perimeter and along each stud.



NORFAB 8' x 8' LI'L BEAR Playhouse

Instruction Manual

Norfab has taken great care to ensure all parts are of quality material and complete. Please check the unit over carefully. Should you experience any problems or have any questions, **DO NOT CALL THE STORE**, contact NorFab immediately at 1-800-465-2918.

INTRODUCTION

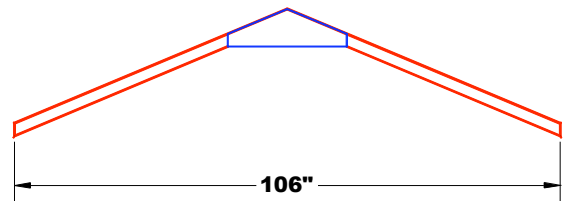
These instructions are made to make the assembly of this playhouse as easy as possible. We will assemble each wall individually before standing any of them up. Your floor should already be assembled. Your walls will each be assembled on this floor. Directions - right or left, front or back are explained as if you were looking at the front of the assembled playhouse from the outside.

Step 1:

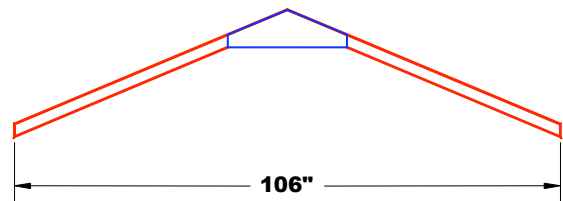
RAFTERS

Three sets of rafters will have one gusset and the two centre ones will have two (one on each side). One rafter set will be used on the front wall as a fascia with no gusset. Using the floor as a flat surface place the angle cuts together to form the letter V. Measure 106" from tail to tail (very important) and nail the gussets with 16 – 1 _" nails. The measurement is the important part, not the fit of the gusset.

GUSSET ONE SIDE ONLY



GUSSET BOTH SIDES

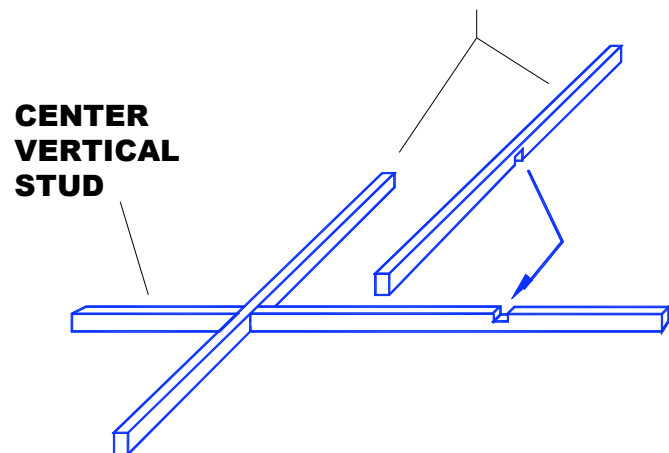


Step 2:

BACK WALL

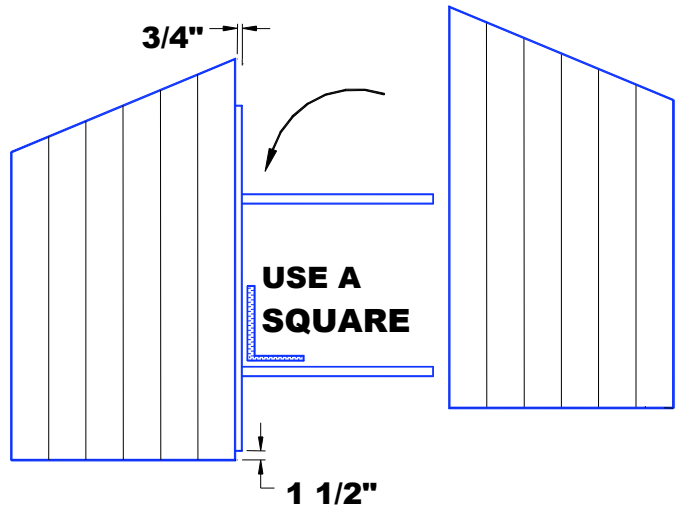
Assemble notched studs in the fashion shown and nail together with 1 _" nails to form a "H-shaped" frame. Use a square to ensure the horizontal studs are at right angles to the vertical stud.

HORIZONTAL STUDS



Step 3:
REAR WALL PANEL

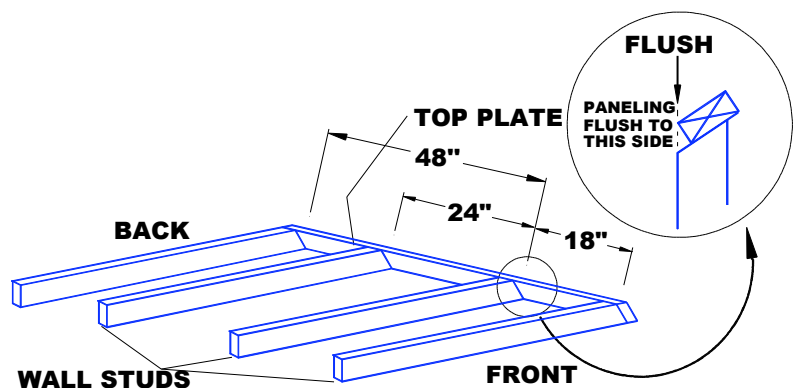
Lay half of the rear wall section on the notched frame with the pattern facing up. Centre the panelling on the centre stud of the H frame. Let the bottom of the panelling overhang the centre stud by 1" (See diagram to the left). Use a square to ensure that the H Frame is true. Nail the panel to the frame with short nails through the grooves. Repeat this procedure for the other half of the rear wall.



Step 4:
Slide one of the single gusset rafters under the panel keeping it as flush as possible and centered with the angle cut of the wall panel. Using 1" nails attach the rafter to the panel. Place the rear fascia board onto the outside of the paneling in the same fashion. Move the panel to the side for installation later.

Step 5 A:
LEFT SIDE WALL STUD ASSEMBLY

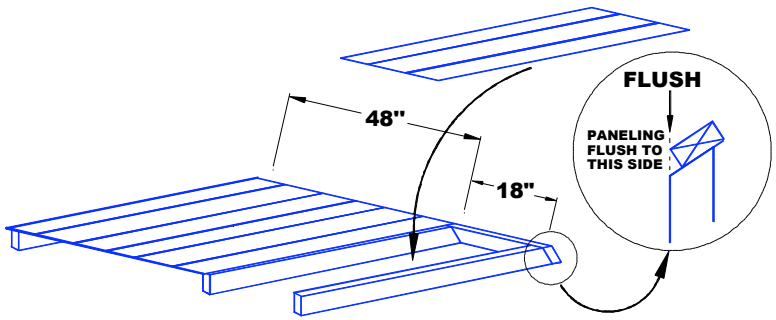
Lay out 1 top wall plate on the floor. Measure 48" in from the back end of the top plate to mark the centre point of a wall stud. Then measure and mark 24" back and 18" ahead from this point for the other stud locations. Install wall studs to top plate using the long nails provided, centred on your marks. Be certain to nail the 2 outside studs flush with the outside ends of the top plate.



Step 5 B:

LEFT SIDE PANEL INSTALLATION

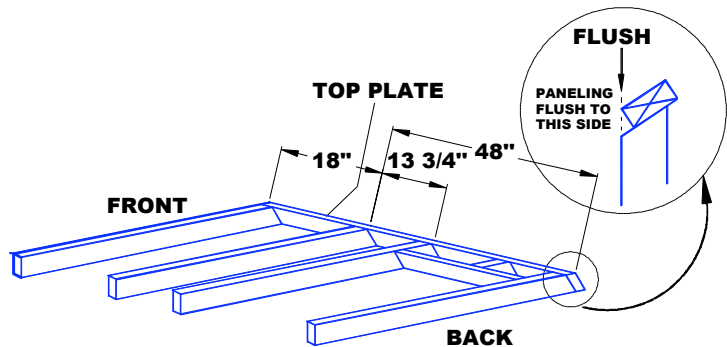
Lay the 48" wide side panel to the back of the stud assembly with the 8" groove facing away from the studs. Space the bottom of the studs up 1" from the bottom of the panel. The top plate must be flush with the edge of the panel. This should also be flush on the back and centered on the 48" wall stud leaving enough room for the 18" wide piece of side panel. Now attach it with the 1" nails. Lay the 18" side panel on the stud assembly. You will want to make sure that the groove of the 18" panel isn't sitting beside the groove of the 48" panel for a completely uniform appearance. You can now move the wall out of the way for use later.



Step 6 A

RIGHT SIDE WALL STUD ASSEMBLY

Lay out the top plate on the floor and measure as illustrated to locate the centre of your stud placement. Install the wall studs to the top plate with long nails. Place the 32" door header between the last and second last stud as illustrated. Centre the 10" wall stud between the top plate and the door header. Nail with the 3" nails.

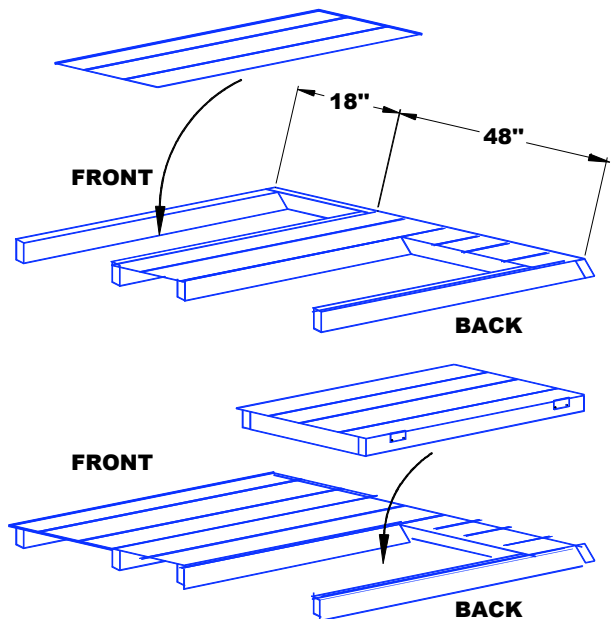


Step 6 B

RIGHT SIDE WALL PANEL INSTALLATION

This is designed to fit on the right rear. Similar to the left wall only install the 18" panel at the front and the 48" cut panel at the rear as illustrated (the side which has been cut out will leave 1/2 of the second stud showing. This will be used later as a doorstop.) Nail with the 1" nails.

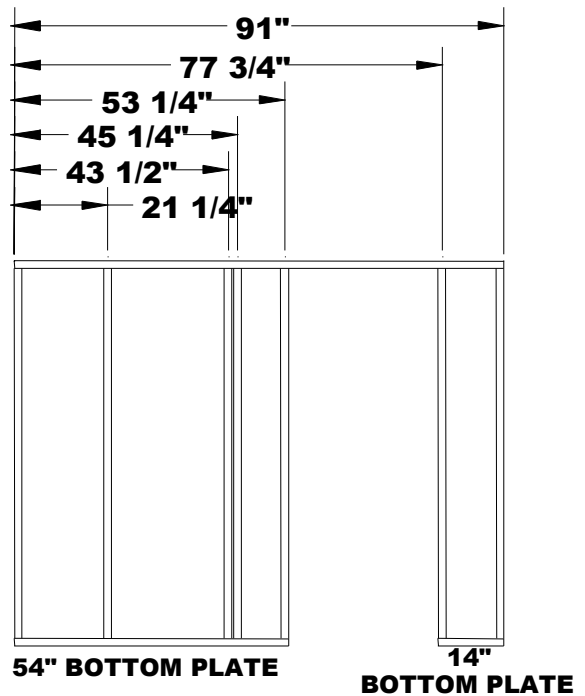
Side access door – With the butt hinges in the closed position attach them 6" from the top and the bottom of the 2x3, which is flush with the edge of the panel. Place the door panel into the opening with the 1" overhang at the bottom, (this should match up with the cut panel). Keeping the door in the same location carefully open it and attach the other half of the hinges. Secure the 1" panel strip along the back stud with 1" nails. Flip the complete panel over and install the barrel bolts to the 2x3 of the door opposite the hinges. This will allow you to securely close this door when not in use.



Step 7:

FRONT WALL STUD ASSEMBLY

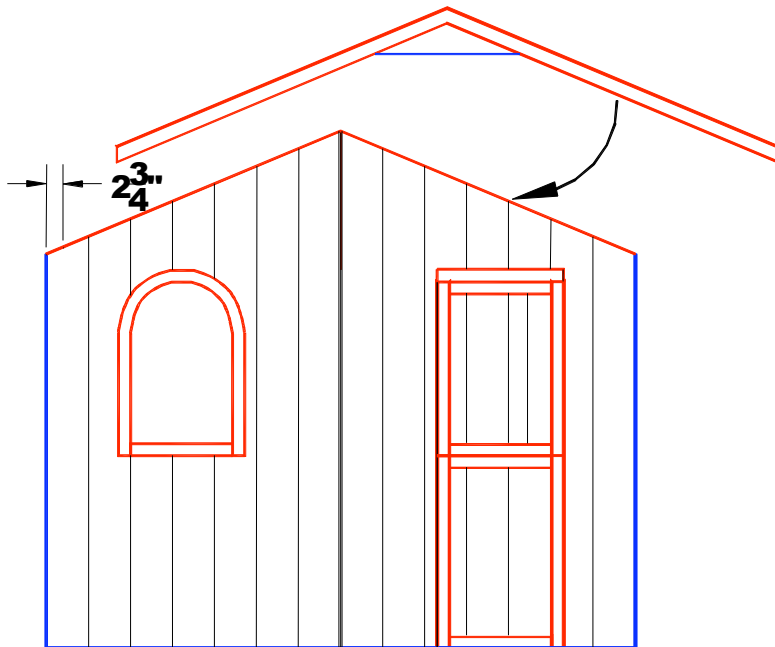
Lay out your front top plate along with, the 2 bottom plates on your floor surface. Measure and mark as illustrated. These markings will act as the centre points for your wall studs. Join the top and bottom plate with 65" square cut wall stud using long nails provided at each of these points and flush on either end.



Step 8:

FRONT WALL PANEL ASSEMBLY

Lay the front wall panel with the window on the studded wall. Make sure that the panelling is flush with the bottom plate and that the 8" groove is facing out. Do **not** allow a 1" overhang as on the back and side walls.



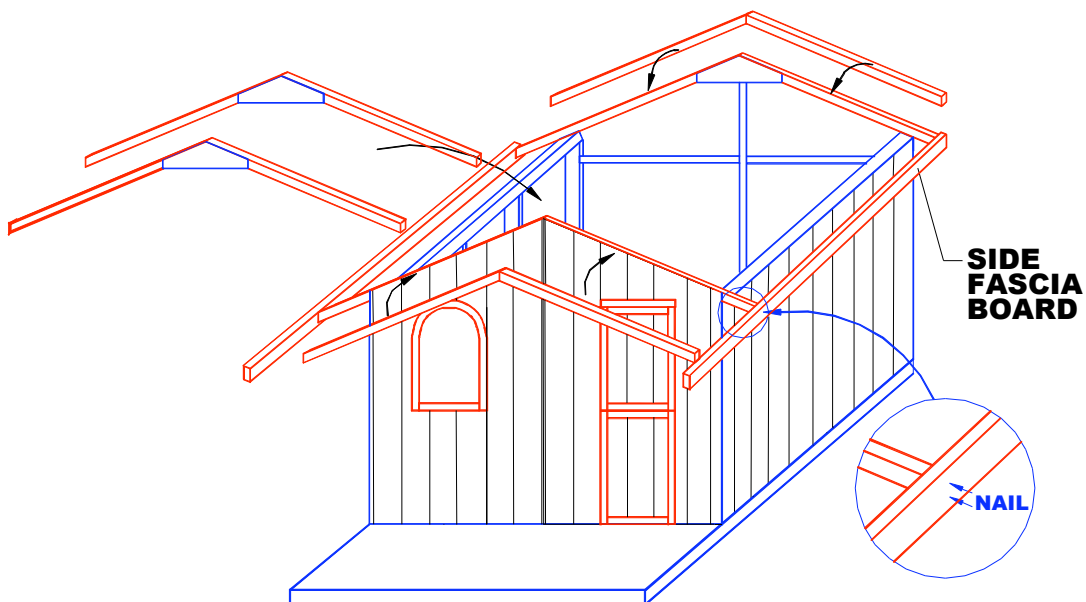
The right side of this panelling should be centered on the stud attached at the door opening. This will give you approximately a 2 3/4" overhang on the left. Attach this panel with the 1" nails through the grooves at the 21" and 48" mark measured from the outside. Lay the panel with the doors on the other side and nail to studs in the same manner. Lay the other rafter with one gusset under the peak of the front wall with the gusset away from the inside of the panelling and attach it with 1" nails. Attach the rafter set with no gusset to the outside of the front wall using the 3" nails. This acts as a fascia.

Step 9:
WALL ASSEMBLY

Stand up your back wall so that the panel overhang is tight to the outside of the floor and the studs are resting on top of the floor.
Now stand up your side walls in the same fashion and nail the back wall to the side walls through the panel with 1 1/2" nails. The sidewall will fit under the rear rafter.
Stand up the front wall. The front wall should fit snug and the rafter will rest on the top of the sidewall.
Once the walls are all level and all is square, nail the bottom plates of the front wall to the floor and nail the sidewalls. Nail the panel to the floor from the outside at every groove.

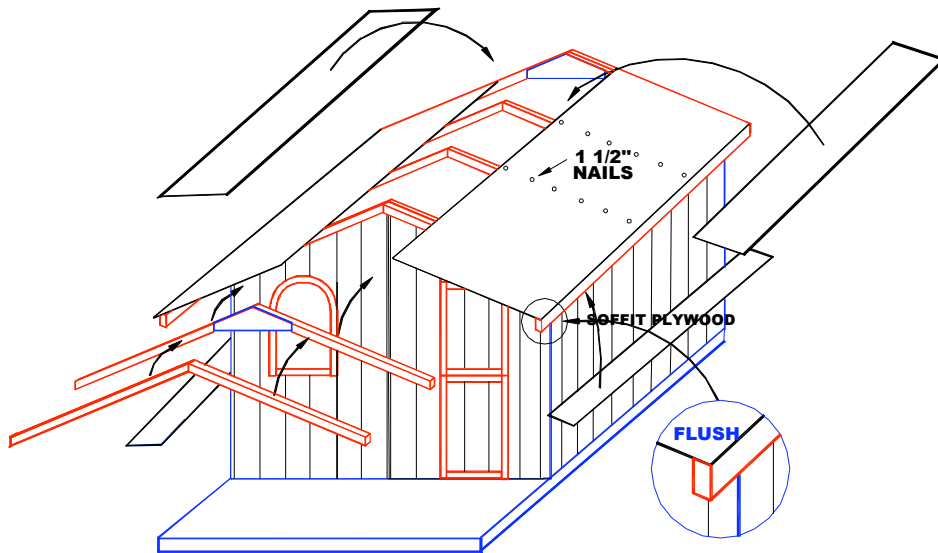
Step 10:
ROOF RAFTER AND FASCIA

Nail both side fascia boards, with short nails, to the front and rear rafter ensuring they are flush with the outside of the rear rafters and flush with the top of the rafters. Stand assembled rafters with 2 gussets each between the side fascia boards 24" apart or centered on the left sidewall studs. Nail the fascia boards to the tails of the rafters with the 1 1/2" nails. Nail all rafters to the sidewalls with the 3" nails.



Step 11:
ROOF SHEATHING

Install roof sheathing so that it is flush with the back, and side fascia boards with the 1/2" nails. Next, install the roof sheathing at the peak. Finally, nail the plywood soffit underneath the rafters on the same angle with 1/2" nails.



Step 12:
FRONT RAFTER AND FASCIA

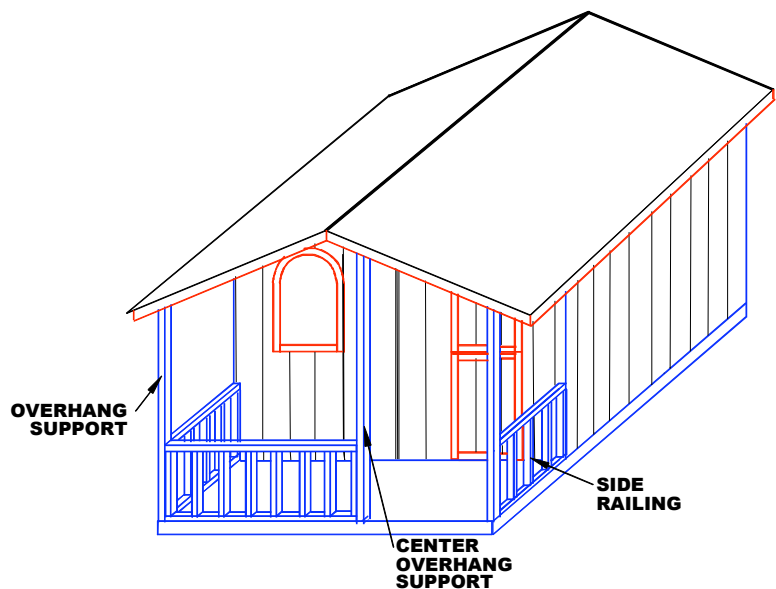
Attach the tails of your last rafter to the front of the overhanging side fascia with the 1/2" nails, now attach it to the front peak of the roof sheathing with the included screws. Attach the front fascia onto the front rafter with the 1/2" nails. (If not already done in step 9)

Step 13:
SIDE RAILS

Stand the short rails on the sides of the porch and nail them to the floor, flush to the outside. Stand your overhang supports to match the width of the side rails and the slope of the front rafter. Nail the overhang support to the floor, to the front rafter and to the side railing.

Step 14:
FRONT RAIL

Stand the front rail flush to the front of the porch against the left support and nail it in place. Stand the centre overhang support and nail to the rafter and railing.



Step 15:**WINDOW INSTALLATION**

Place the window pane flat against opening on the inside of the wall. Place the small stopper blocks at the bottom of the window in such a manner as to make sure window is completely open and just below the window opening. Nail with finishing nails. Fasten the 4' (Approximately) strips, loosely over the top of pane using finishing nails. This will allow the window to move freely up and down.

Using the _" screws attach the window jam lever to either side of the strips flush near the bottom of the opening. This should sit in such a position as to lock the window in the up position.

Now install the window handle. Remove the paper backing from the foam rubber backing and stick it to the bottom side of the glass in the centre. Slide the handle over the foam.

Always instruct your children how to safely open and close this window.

Step 16:**DOOR HARDWARE**

Install door, handles and latches

Step 17:

Install the shingles of your preference. The manufacturer of the EZ-Panel panelling strongly recommends painting the exterior of your shed within three weeks of assembly with 100% acrylic paint.

Enjoy your new NORFAB LI'L BEAR Playhouse!