

NORFAB 4' GRIZZLY Extension Kit Materials Checklist

Norfab has taken great care to ensure all parts are of quality material and complete. Please check the unit over carefully. Should you experience any problems or have any questions, **DO NOT CALL THE STORE**, contact NorFab immediately at 1-800-465-2918.

Note: Actual floor size is 10' wide (front) x 11' 8-1/4" deep (sides).

2 – 48" x 66 3/4" EZ-Panel side wall extension panels

2 - 5"x 48"x1/4" plywoodsoffit

2 - 24"x48" sheets 7/16" OSB Roofing material

2 – 48"x48" sheets 7/16" OSB Roofing material

2 - 2x3 x 48" Top plates

6 - 2x3 x 65" Wall studs

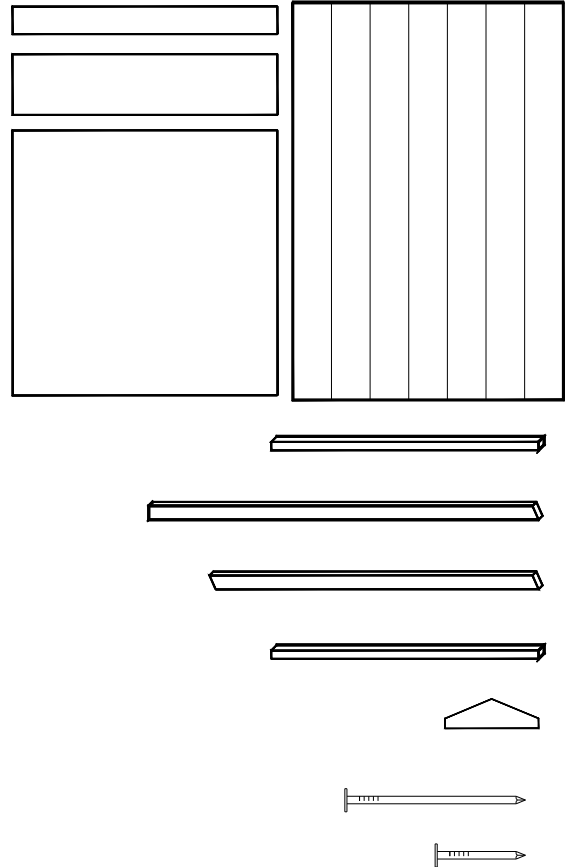
6 - 2x3 x 70 1/2" Rafter boards

2 - 2x3 x 48" side Fascia boards

4 - Gussets

1 - Bag 3" coated nails

1 - Bag 1 1/2" coated nails



Note: Sketches are not to scale.

See your dealer for your choice of flooring and roofing. **Be sure of actual floor size.**
Actual floor size is 10' wide (front) x 11' 8-1/4" deep (sides).

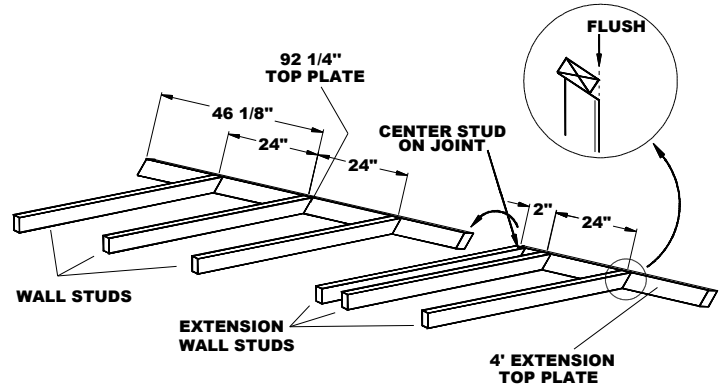
In order to incorporate this extension kit with the 10' x 8' Grizzly Shed, replace the following seven steps with their corresponding steps found in the instruction manual provided with the 10' x 8' Grizzly shed.

Norfab has taken great care to ensure all parts are of quality material and complete. Please check the unit over carefully. Should you experience any problems or have any questions, **DO NOT CALL THE STORE**, contact NorFab immediately at 1-800-465-2918.

Note: Actual floor size is 10' wide (front) x 11' 8-1/4" deep (sides).

STEP 5b:

Lay out both two-piece top plates. Measure 46 1/8" in from the end of the 92 1/2" top plate to mark the center stud. Then measure 24" out from this point to mark the other two stud locations. On the 48" extension plate, mark 2" from its end to find the center point of the second extension wall stud and 24" from this point to mark the last stud location. The first extension wall stud must be centered on the joint between the two top wall plates to connect the top plates together. The end studs should be flush with the outside edge of the top plate.

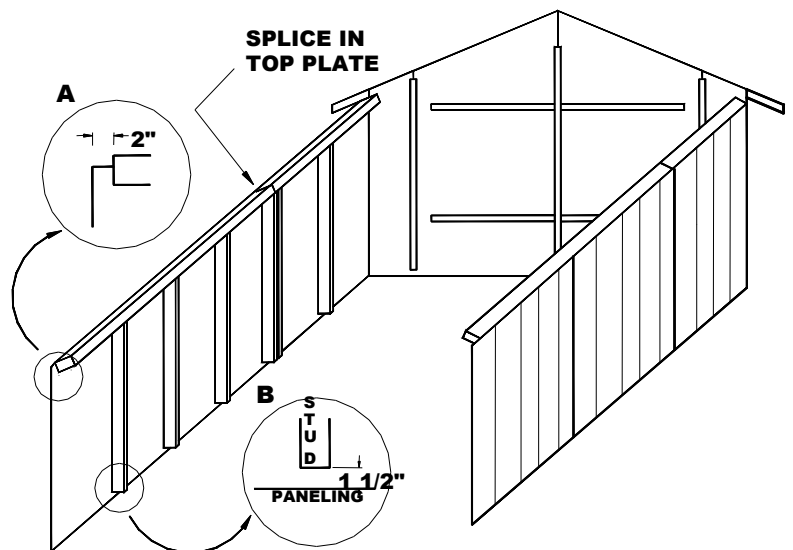


Nail the eight wall studs to the top wall plates, centered on your marks. As shown above, be certain to nail studs flush with the outside of the top plate.

STEP 7b:

Stand the panel assemblies up so that the splice in the top plate is nearest to the rear wall.

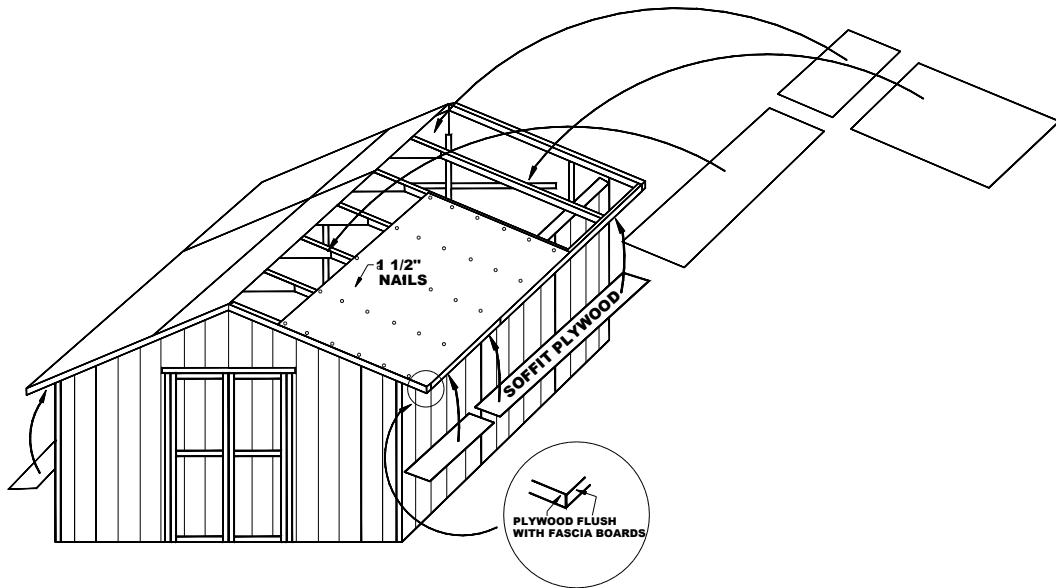
BASE PLATES ON FLOORS SOLD SEPERATLY AND MUST BE USED TO STABILIZE WALLS.



Customer Service Hotline 1-800-465-2918
NORFAB 4' Grizzly Extension Kit

STEP 16b:

Install 48" x 96" roof sheathing so that it is flush with the front and side fascia boards and nail with 1 1/2" nails. Next, install the 24"x 96" roof sheathing at the peak. Finally, nail the two smaller pieces of roof sheathing found in this extension kit to the rear of the shed. Using the 1 1/2" nails provided, nail the 5"x 96" and the 5" x 48" plywood soffits underneath the rafters as shown below, with the 48" long piece in the front.



Enjoy your new NORFAB Shed!

Customer Service Hotline 1-800-465-2918
NORFAB 4' Grizzly Extension Kit