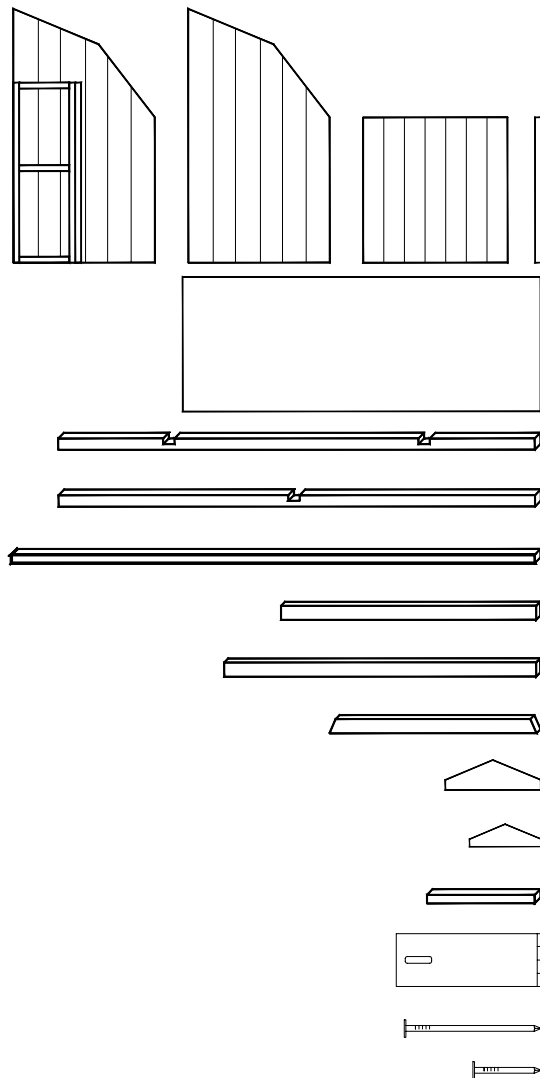


NORFAB 8' x 8' Coyote Materials Checklist

Norfab has taken great care to ensure all parts are of quality material and complete. Please check the unit over carefully. Should you experience any problems or have any questions, **DO NOT CALL THE STORE**, contact NorFab immediately at 1-800-465-2918.

Note: Actual floor size is 8' wide (front) x 7' 8-1/4" deep (sides).

- 2 - Angle-cut front walls, EZ-Panel with pre hung doors
- 2 - Angle-cut back walls, EZ-Panel
- 4 - 48" x 48" side wall panels, EZ-Panel
- 4 - 2x3 x 48" Corner trim studs
- 4 - 36" x 96" sheets 7/16" OSB Roofing material
- 1 - 2x3 center vertical stud, notched twice
- 2 - 2x3 stud, notched once
- 2 - 2x3 x 92 1/4" Top plates
- 6 - 2x3 x 45" Wall studs
- 1 - 2x3 x 55" Door header
- 24 - 2x3 x 36 1/4" Rafters / front and rear Fascia boards
- 6 - Large gussets
- 12 - Small gussets
- 1 - 2x3 Brace
- 1 - Hasp for door
- 1 - Bag 3" coated nails
- 1 - Bag 1 1/2" coated nails



Sketches are not to scale

See your dealer for your choice of flooring and roofing. **Be sure of actual floor size.**
Actual floor size is 8' wide (front) x 7' 8-1/4" deep (sides).

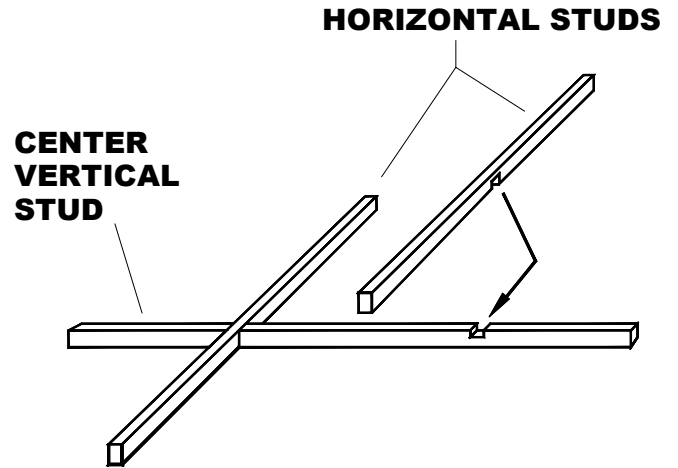
Customer Service Hotline 1-800-465-2918
 NORFAB 8'x8' Coyote Shed

****Assemble Floor First****

Note: Actual floor size is 8' wide (front) x 7' 8-1/4" deep (sides).

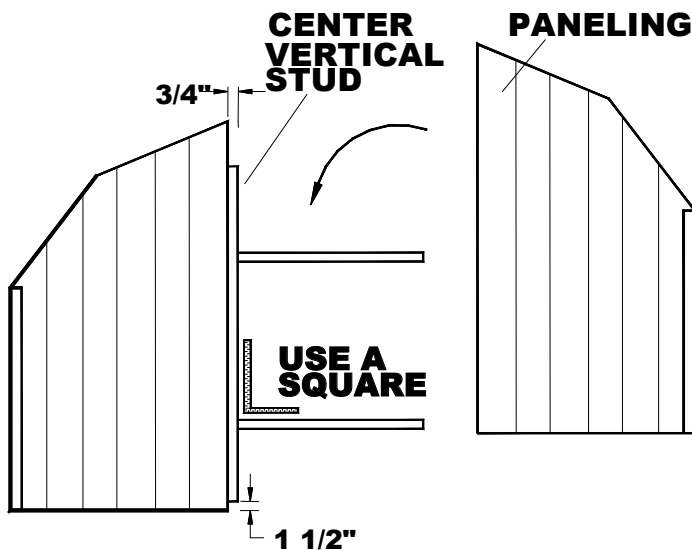
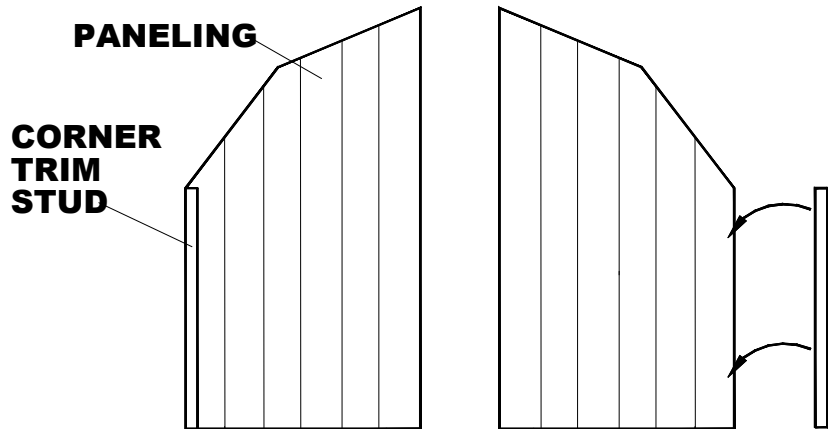
STEP 1:

Assemble notched studs in the fashion shown and nail together with 1 1/2" nails to form an "H-shaped" frame. Use a square to ensure the horizontal studs are at right angles to the vertical studs.



STEP 2:

Nail the corner trim stud to the outside of the rear wall panels with 1 1/2" nails as shown. Ensure the trim is flush with the bottom and outside edge of the panelling.

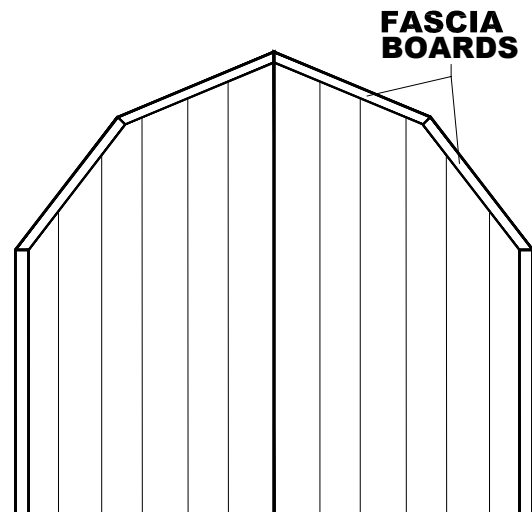


Lay half of the rear wall section on the notched framing with the pattern facing up. Center the panelling on the single vertical stud of the frame. Let the bottom of the panelling overhang the center vertical stud by 1 1/2" (See diagram to the left). Nail the panel to the frame with 1 1/2" nails. Repeat this procedure for the other half of the rear wall.

Customer Service Hotline 1-800-465-2918

NORFAB 8'x8' Coyote Shed

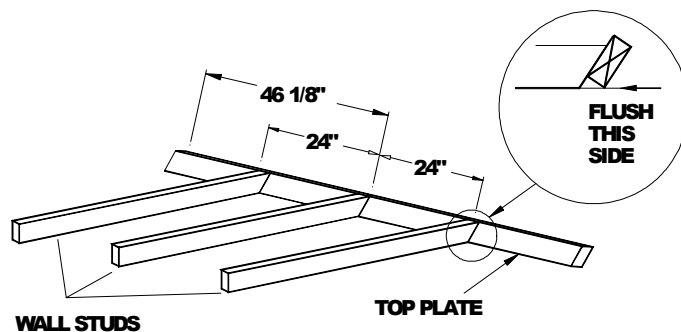
Carefully flip the assembled panel over to have the grooves facing down. Following the top panel, install the rear fascia with 1 ½” nails as shown.



STEP 3:

If you purchased the 4' Extension Package, refer to this step in the extension package.

Lay out both top wall plates. Measure 46 1/8” in to mark the centre wall stud. Measure out 24” from this point to find the centre of the next two studs. The end studs should be flush with the outside edge of the top plate. Nail the studs to the top plate with 3” nails.



STEP 4:

Place the wall panels on the studs with the grooved side facing up. Space the bottom of the studs up 1 ½” on the panel as the panels will overhang the floor and be nailed later, the studs will support the shed by sitting on the base plate or floor. The paneling must extend past the top plate by 2” at both ends (front and rear). Nail the panels to the studs with 1 ½” nails. Repeat for the other wall.

Customer Service Hotline 1-800-465-2918

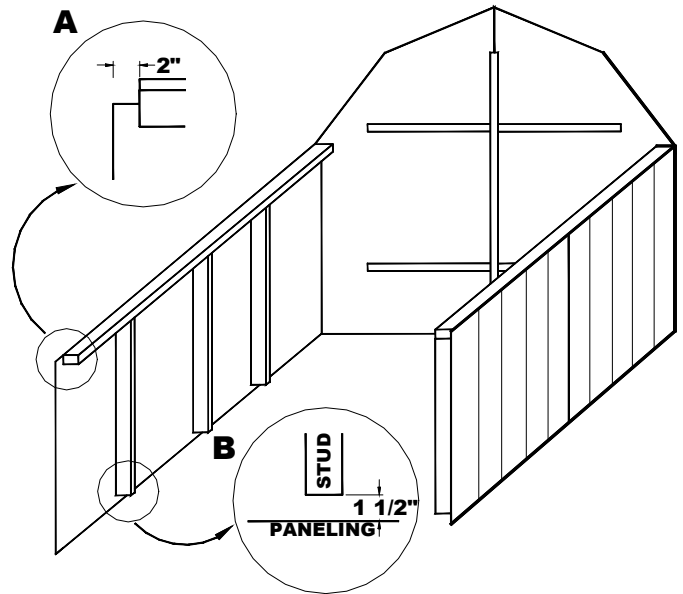
NORFAB 8'x8' Coyote Shed

STEP 5:

If you purchased the 4' Extension Package, refer to this step in the extension package.

Stand up the rear section and attach the assembled side panel to it, resting the studs on the floor or a base plate with the panels overhanging the sides 1 1/2". The side paneling must overlap the corner trim stud. Nail the side panel to the trim stud with 1 1/2" nails. Repeat for other side.

Note: Although a floor is strongly recommended, when no floor has been purchased, place the wall studs on a base plate of 2x4 material or better (NOT SUPPLIED). Be certain the wall paneling overlaps the floor or base plate 1 1/2", as it is the wall studs that must support the shed, not the paneling.



NOTE: BASE PLATES OR FLOORS SOLD SEPERATELY AND MUST BE USED TO STABILIZE THE WALLS.

STEP 6:

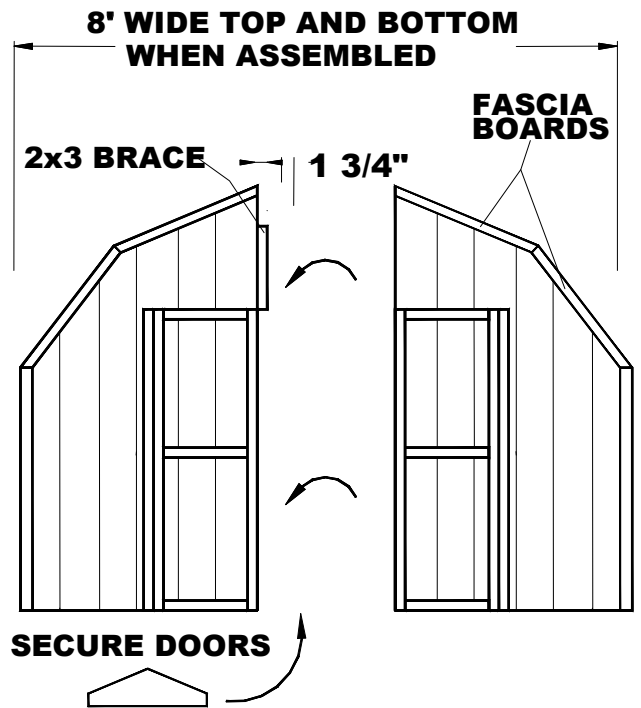
Check that walls are level.

STEP 7:

Nail the corner trim stud to the outside of the front wall panels with 1 1/2" nails as shown. Ensure that the trim is flush with the bottom and outside edge of the paneling. Place two front sections face up on level surface and butt them together, assuring you have 8' width top and bottom. Slide the brace piece behind the joint above doors and nail the panels to it with the 1 1/2" nails. Be sure the doors are even at the top.

Attach front fascia as in step 2.

Note: To keep doors shut for assembly temporarily tack a rafter gusset across the bottom of the doors.

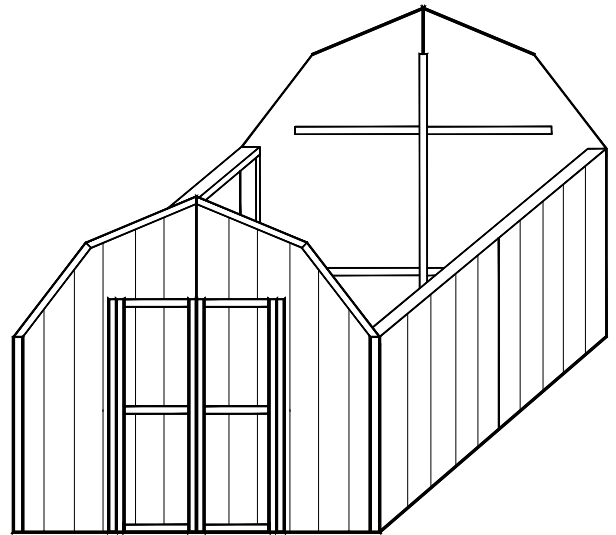


Customer Service Hotline 1-800-465-2918

NORFAB 8'x8' Coyote Shed

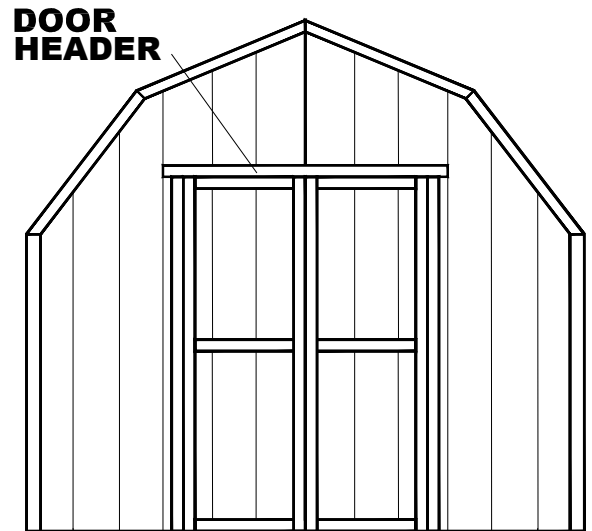
STEP 8:

Carefully stand up the front wall. Using the fascia, lift the wall unit into place. The edges of the front wall will slide in behind the 2" panel overhang on the side wall. The side wall panel will cover the edge of the corner trim stud and can be nailed to it using the 1 1/2" nails every 12" or so.



STEP 9:

Center door header over doors and nail with 1 1/2" nails.

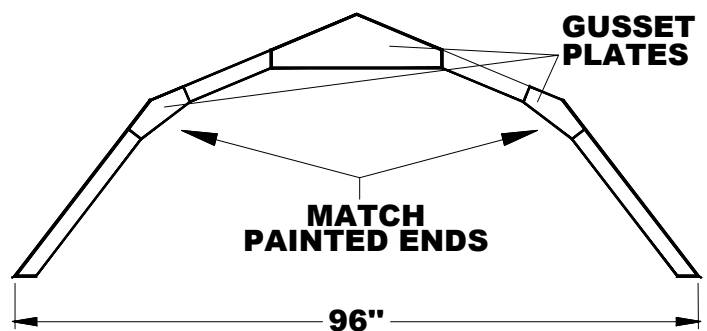


STEP 10:

If you purchased the 4' Extension Package, refer to this step in the extension package.

Assemble rafters using two large gussets and four small gussets nail with 1 1/2" nails to both sides of the rafters, except the front and rear rafters which must be nailed to the inside of the wall, flush with the top of the panel. Match the painted ends of the rafters together.

Note: Rafters **must** be 96" wide from tail to tail.



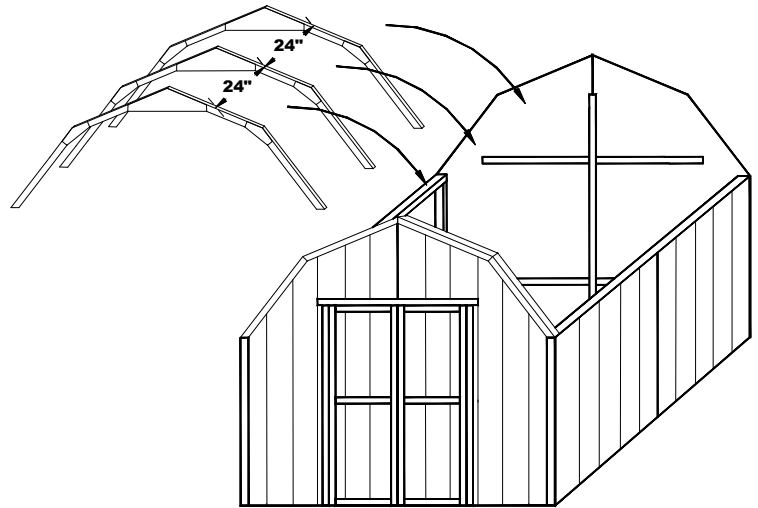
Customer Service Hotline 1-800-465-2918

NORFAB 8'x8' Coyote Shed

STEP 11:

If you purchased the 4' Extension Package, refer to this step in the extension package.

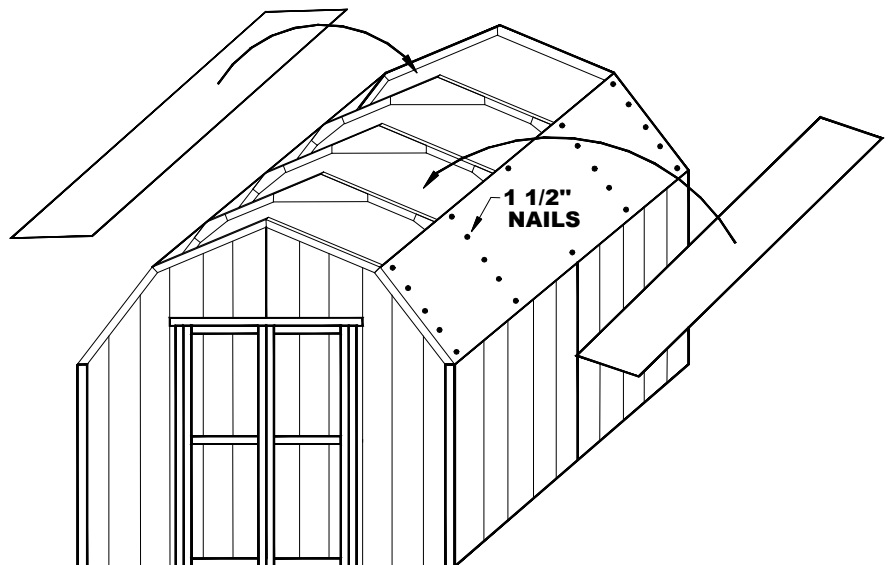
Stand assembled rafters, centering them on top of the wall studs and nail them with 3" nails.



STEP 12:

If you purchased the 4' Extension Package, refer to this step in the extension package)

Install the roof sheathing on lower part of roof so that it is flush with the front and rear fascia boards, and side walls with 1 1/2" nails. Finally, install the roof sheathing at the peak.



STEP 13:

Anchor the shed to the base of your choice and install the shingles of your preference. The manufacturer of the EZ-panel panelling strongly recommends painting the exterior of your shed within three weeks of assembly. 100% Acrylic painted is recommend.

NOTE: IF YOU ARE NOT USING A FLOOR THE BASE MUST BE SECURLY ANCHORED TO A FOUNDATION OR THE GROUND.

Enjoy your new NORFAB shed!

Customer Service Hotline 1-800-465-2918

NORFAB 8'x8' Coyote Shed