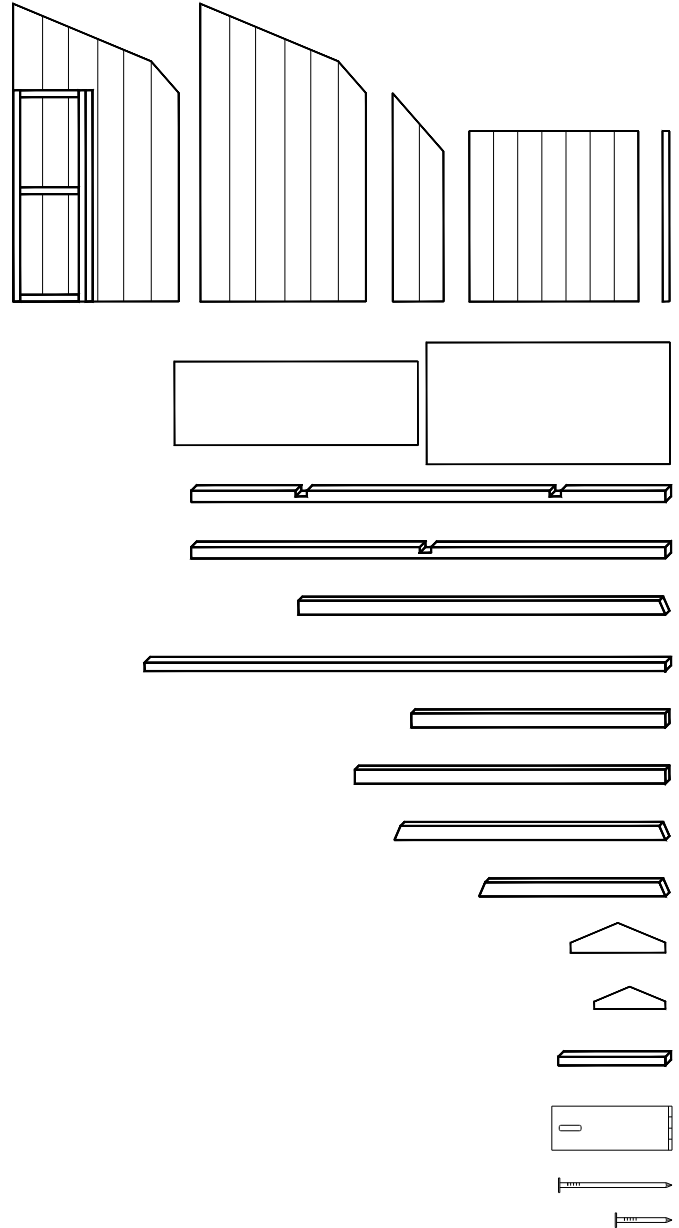


NORFAB 10' x 8' Cougar Materials Checklist

Norfab has taken great care to ensure all parts are of quality material and complete. Please check the unit over carefully. Should you experience any problems or have any questions, **DO NOT CALL THE STORE**, contact NorFab immediately at 1-800-465-2918.

Note: Actual floor size is 10' wide (front) x 7' 8-1/4" deep (sides).

- 2 - Angle-cut front walls, EZ-Panel with pre hung door
- 2 - Angle-cut back walls, EZ-Panel
- 4 - Angle-cut wall extension panels, EZ-Panel
- 4 - 48" x 48" side wall panels, EZ-Panel
- 4 - 2x3 x 48" long Corner trim stud
- 2 - 33" x 96" sheets 7/16" OSB Roofing material
- 2 - 48" x 96" sheets 7/16" OSB Roofing material
- 1 - 2x3 center vertical stud, notched twice
- 2 - 2x3 stud, notched once
- 4 - 2x3 x 65" long, Wall joint stud
- 2 - 2x3 x 92 1/4" Top plates
- 6 - 2x3 x 45" Wall studs
- 1 - 2x3 x 55" Door header
- 10 - 2x3 x 48" Rafters / front and rear Fascia boards
- 10 - 2x3 x 33" Rafters / front and rear Fascia boards
- 8 - Large gussets
- 16 - Small gussets
- 1 - 2x3 Brace
- 1 - Hasp for door
- 1 - Bag 3" coated nails
- 1 - Bag 1 1/2" coated nails



Sketches are not to scale

See your dealer for your choice of flooring and roofing. **Be sure of actual floor size.**
Actual floor size is 10' wide (front) x 7' 8-1/4" deep (sides).

Customer Service Hotline 1-800-465-2918
NORFAB 10'x8' Cougar Shed

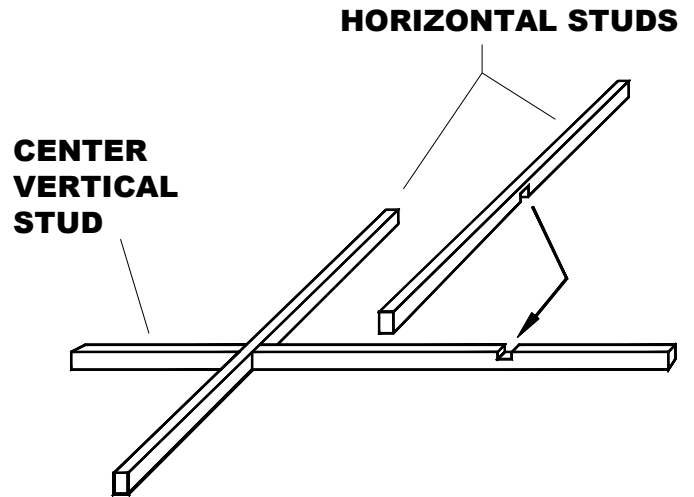
Norfab has taken great care to ensure all parts are of quality material and complete. Please check the unit over carefully. Should you experience any problems or have any questions, **DO NOT CALL THE STORE**, contact NorFab immediately at 1-800-465-2918.

****Assemble Floor First****

Note: Actual floor size is 10' wide (front) x 7' 8-1/4" deep (sides).

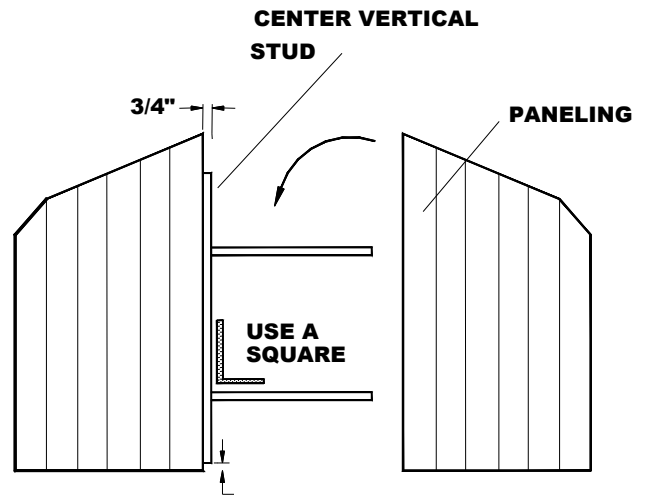
STEP 1:

Assemble notched studs as shown and nail together with 1 1/2" nails to form a "H-shaped" frame. Use a square to ensure the horizontal studs are at right angles to the vertical stud.

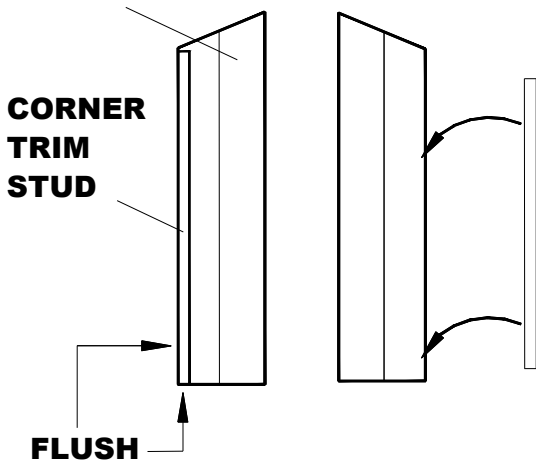


STEP 2:

Lay one of the rear wall panels on the H-shaped frame with the grooved side facing up. Center the paneling on the vertical stud with the bottom of the paneling overhanging the bottom of the stud by 1 1/2" as shown. Nail the panel to the frame with 1 1/2" nails. Repeat for the other half of the rear wall.



PANEL EXTENSION



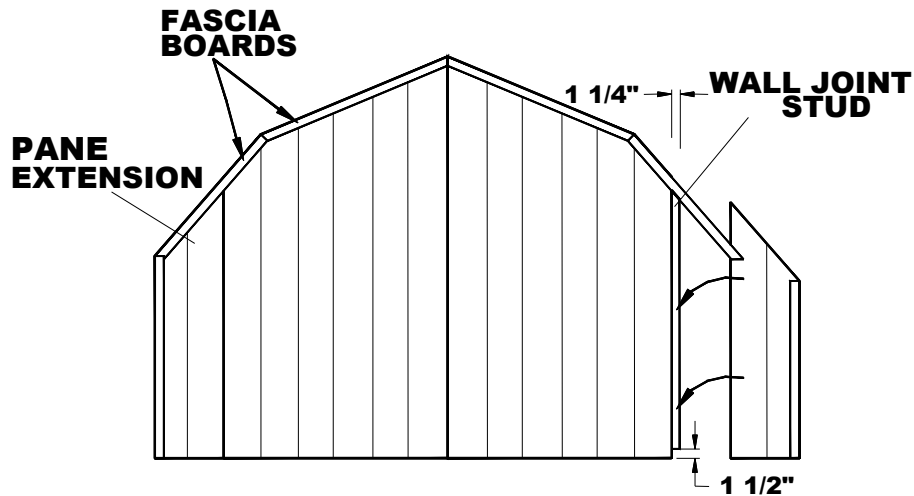
STEP 3:

Nail the corner trim stud to the outside of the rear wall panel extensions with 1 1/2" nails as shown. Ensure that the trim is flush with the bottom and the outside edge of the paneling.

STEP 4:

Attach the rear wall panel extensions by centering a 65" wall joint stud underneath each wall joint. Space the wall joint stud 1 1/2" up from the bottom of the paneling and nail the back wall panel and the panel extensions to it with 1 1/2" nails. Once assembled, the rear wall will be 10' wide.

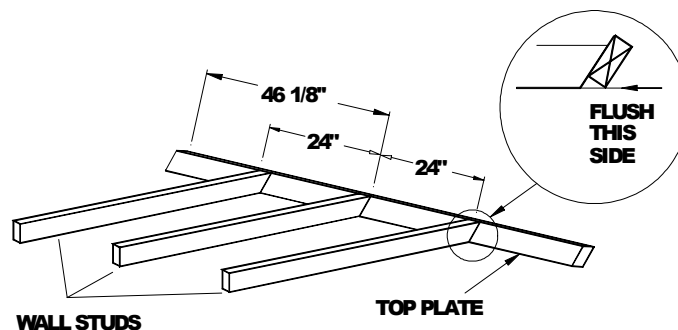
Carefully flip the assembled panel over to have the grooves facing down. Following the top panel, install the rear fascia with 1 1/2" nails as shown.



STEP 5:

If you purchased the 4' Extension Package, refer to this step in the extension package.

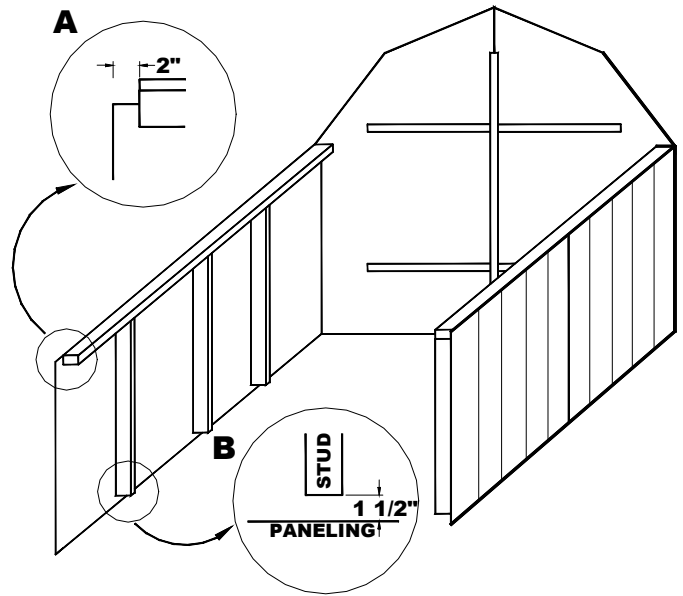
Lay out both top plates. Measure 46 1/8" in from the top end of the top plate to mark the center of the wall stud. Measure 24" out from this to find center of other wall studs. Nail the wall studs to top plate using 3" nails, centered on your marks. Repeat for the other side.



STEP 6:

If you purchased the 4' Extension Package, refer to this step in the extension package.

Attach the side panels to the wall studs with 1 1/2" nails. Space the bottom of the studs up 1 1/2" from the bottom of the paneling (Fig B). The top plate must be 2" in from each edge of the paneling. (Fig A). Stand up the rear wall and attach one side wall assembly to it, with the studs resting on the floor or base plate ensuring corners are flush to the outside of the corner trim stud. (The edge of the paneling must be flush with the outside edge of the corner trim stud.) Ensure walls are level. Repeat for the other side



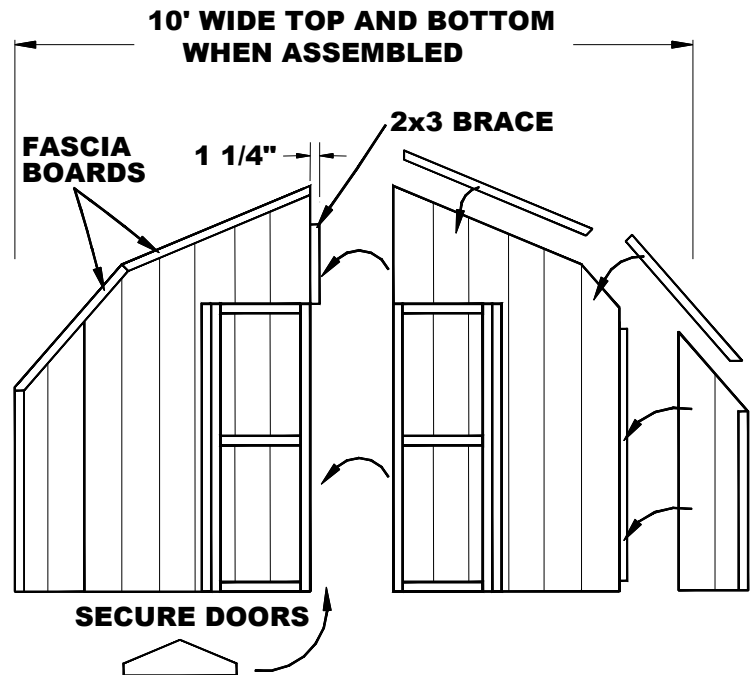
STEP 7:

Note: Although a floor is strongly recommended, when no floor has been purchased, place the wall studs on a base plate of 2x4 material or better (NOT SUPPLIED). Be certain the wall paneling overlaps the floor or base plate 1 1/2", as it is the wall studs that must support the shed, not the paneling.

BASE PLATES OR FLOORS SOLD SEPERATELY AND MUST BE USED TO STABILIZE THE WALLS.

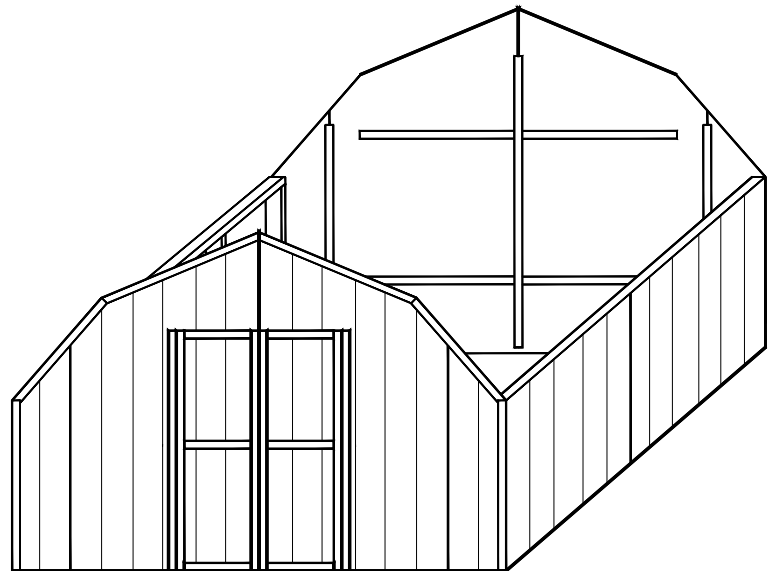
STEP 9:

Place the two front wall panels face up on a level surface and butt them together. Slide the brace behind the joint, flush with the panel above the doors, and nail the panels to it with the 1 1/2" nails. Install the wall joint studs and wall extension panels in the same fashion as the rear wall panel was assembled in step 4. Make sure the total width is 10' top and bottom. Temporarily tack a gusset across the outside of the door (this will keep the door from opening during assembly). Carefully flip the entire section over and nail the corner trim stud as in step 3. Attach the front fascia boards as performed in step 4.



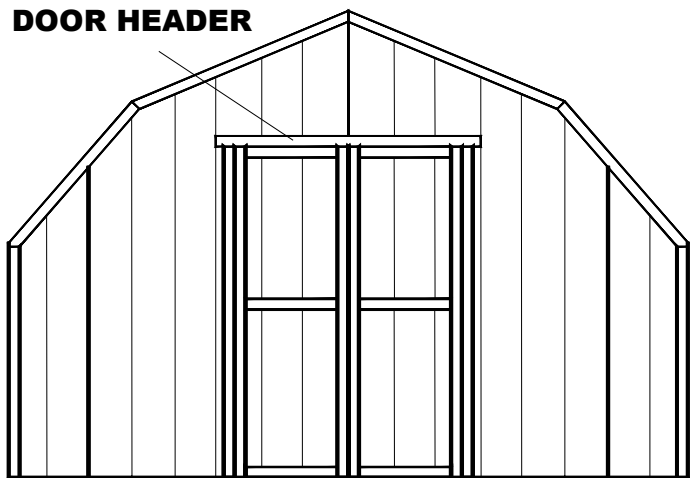
STEP 10:

Stand the front section up with the wall joint studs resting on the floor or base plate. Nail the 2" overhang of the trim stud with 1 1/2" nails. Remove gusset plate, which is holding doors shut, to allow entry.



STEP 11:

Install door header centered over the door with 1 1/2" nails.

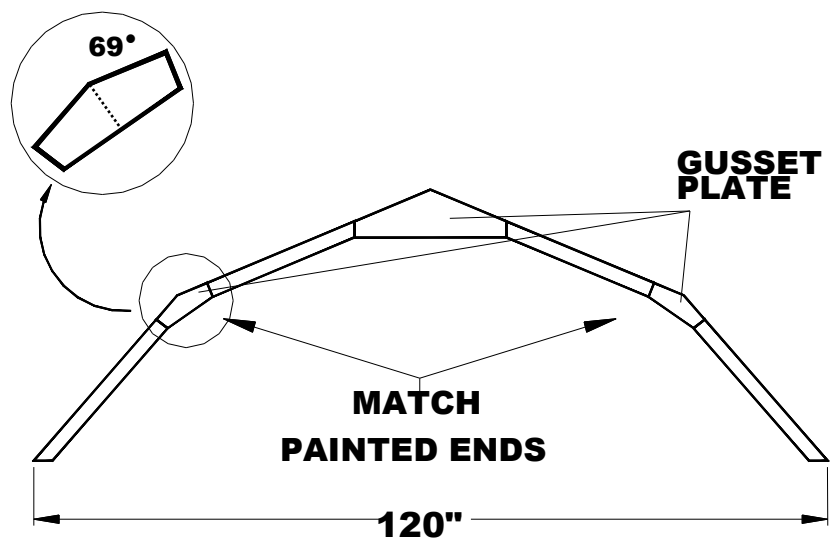


STEP 12:

If you purchased the 4' Extension Package, refer to this step in the extension package.

Assemble rafters with the 48" pieces at the top and the 30" pieces at the bottom. Match painted ends of the same color together as shown. Six gusset plates are supplied for each rafter set, (4 small and 2 large) to be nailed with 1 1/2" nails to both sides of the rafters. (Except the inside end rafters, which do not require gussets. Simply nail rafters to walls.)

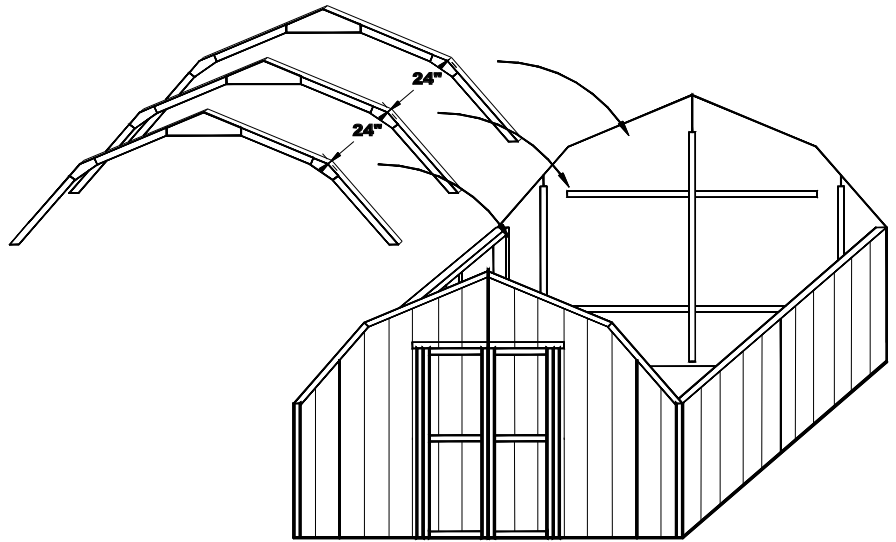
Note: Rafters must be 120" wide from tail to tail.



STEP 13:

If you purchased the 4' Extension Package, refer to this step in the extension package.

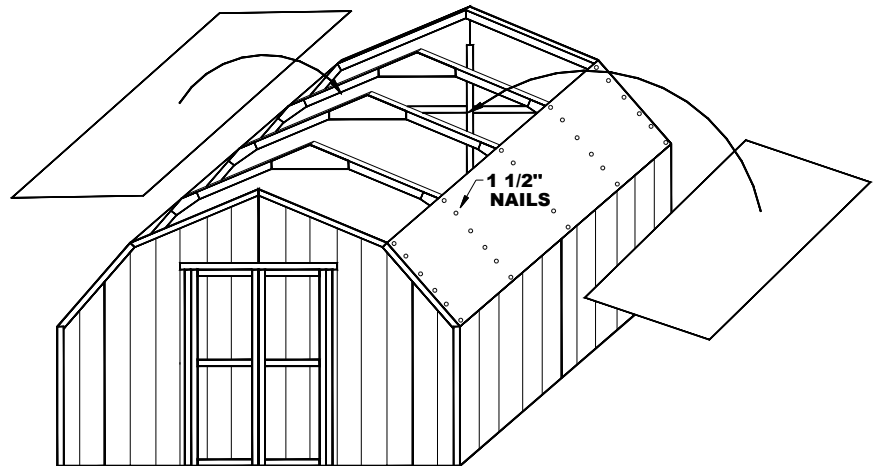
Install assembled rafters, centering them on top of wall studs, and nail them in place with 3" nails.



STEP 14:

If you purchased the 4' Extension Package, refer to this step in the extension package.

Install the lower 33" x 96" roof sheets so that they are flush with the front and rear fascia boards, and side walls with 1 1/2" nails. Finally, install the 48" x 96" roof sheathing to the peak.



STEP 15:

Anchor the shed to the base of your choice and install the shingles of your preference. The manufacturer of the EZ-Panel paneling strongly recommends painting the exterior of your shed within three weeks of assembly. 100% Acrylic Latex is recommended.

NOTE: IF YOU ARE NOT USING A FLOOR THE BASE MUST BE SECURLY ANCHORED TO A FOUNDATION OR THE GROUND.

Enjoy your new NORFAB shed!

Customer Service Hotline 1-800-465-2918
NORFAB 10'x8' Cougar Shed