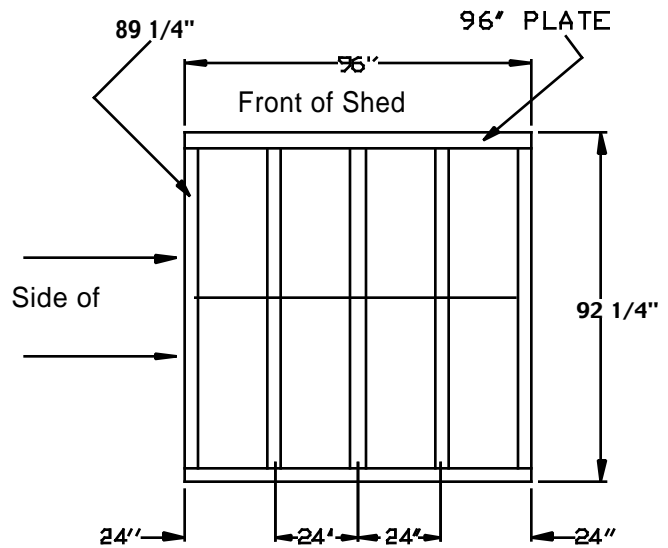


# 8' x 8' NORFAB Floor Kit Instruction Manual (Actual floor size is 8' wide x 92 1/4" long) 1/4" long)

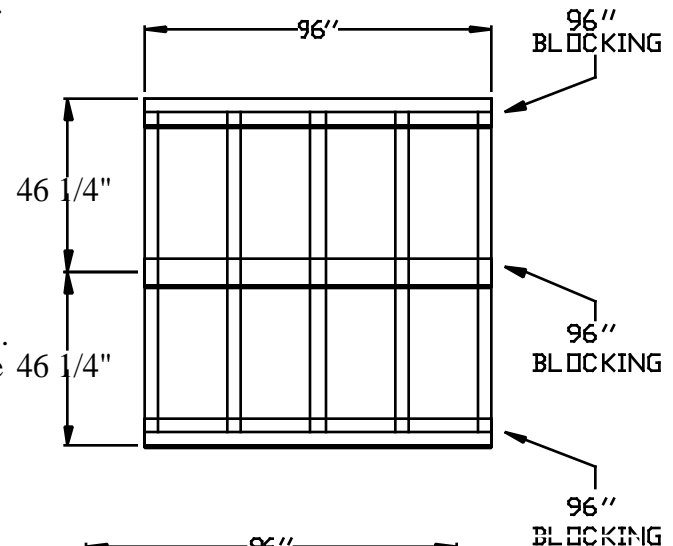
## **STEP 1:**

Assemble the 2" x 4" floor frame by placing the 96" treated 2" x 4", **on edge**, along the outside of the frame and inserting the five treated 2" x 4" x 89 1/4" pieces between them, spacing them at 24" on center. Nail the outer plates to the ends of each 89 1/4" long studs with two 3" coated nails. Ensure that all studs are nailed flush with the adjoining plates.



## **STEP 2:**

Level the desired site of your new shed. It is suggested that you use 3 - 4" x 4" x 8' long treated posts (not supplied) to level the site and raise the floor off of the ground. Arrange these blockings as shown here.



## **STEP 3:**

Place the two sheets of plywood (44 1/4" and (48") on top of the frame, perpendicular to the 89 1/4" studs. Ensure that all edges of the plywood are flush with the 46 1/4" frame before nailing the plywood to the frame with 1 1/2" coated nails. Nails should be placed at 12" intervals around the perimeter and along each stud.

\* See separate Shed Instructions for shed assembly.

## **Materials Checklist**

- 1 - bag 1 1/2" nails
- 1 - bag 3" nails
- 2 - 2' x 4' x 96" PWF
- 5 - 2' x 4' x 89 1/4" PWF
- 1 - 44 1/4" x 96" Floor Sheathing
- 1 - 48" x 96" Floor Sheathing

**\* NOTE:**  
**Door to go on the 96" side.**

