

## **NORFAB 4' BADGER Extension Kit**

### **Materials Checklist**

Norfab has taken great care to ensure all parts are of quality material and complete. Please check the unit over carefully. Should you experience any problems or have any questions, **DO NOT CALL THE STORE**, contact NorFab immediately at 1-800-465-2918.

**Note: Actual floor size is 8' wide (front) x 11' 8-1/4" deep (sides).**

2 - 48" x 72" side wall extension panels, EZ-Panel

2 - 5" x 48" 1/2" plywood soffit

2 - 11 1/2" x 48" sheets 7/16" OSB Roofing material

2 - 48" x 48" sheet 7/16" OSB Roofing material

2 - 2x3 x 48" Top plates

6 - 2x3 x 70" Wall studs

4 - 2x3 x 58" Rafter boards

2 - 2x3 x 48" side Fascia boards

4 - Gussets

1 - Bag 3" coated nails



1 - Bag 1 1/2" coated nails



**Note: Sketches are not to scale.**

See your dealer for your choice of flooring and roofing. **Be sure of actual floor size.**

Actual floor size is 8' wide (front) x 11' 8-1/4" deep (sides).

---

**In order to incorporate this extension kit with the 8' x 8' Badger Shed, replace the following seven steps with their corresponding steps found in the instruction manual provided with the 8' x 8' Badger shed.**

---

**Customer Service Hotline 1-800-465-2918**  
**NORFAB 4' Badger Extension Kit**

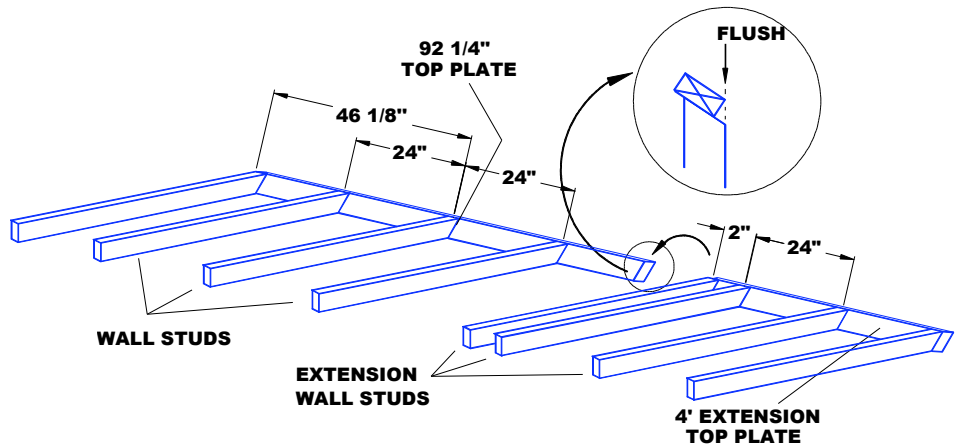
## **NORFAB 4' Badger Extension Kit Instruction Manual**

Norfab has taken great care to ensure all parts are of quality material and complete. Please check the unit over carefully. Should you experience any problems or have any questions, **DO NOT CALL THE STORE**, contact NorFab immediately at 1-800-465-2918.

**Note: Actual floor size is 8' wide (front) x 11' 8-1/4" deep (sides).**

### **STEP 3b:**

Lay out both two-piece top plates. Measure 46 1/8" in from the end of the 92" top plate to mark the center stud. Then measure 24" out from this point to mark the other two stud locations. On the 48" extension plate, mark 2" from its end to find the center point of the second extension wall stud and 24" from this point to mark the last stud location. The first extension wall stud must be centered on the joint between the two top wall plates to connect the top plates together. The end studs should be flush with the outside edge of the top plate.

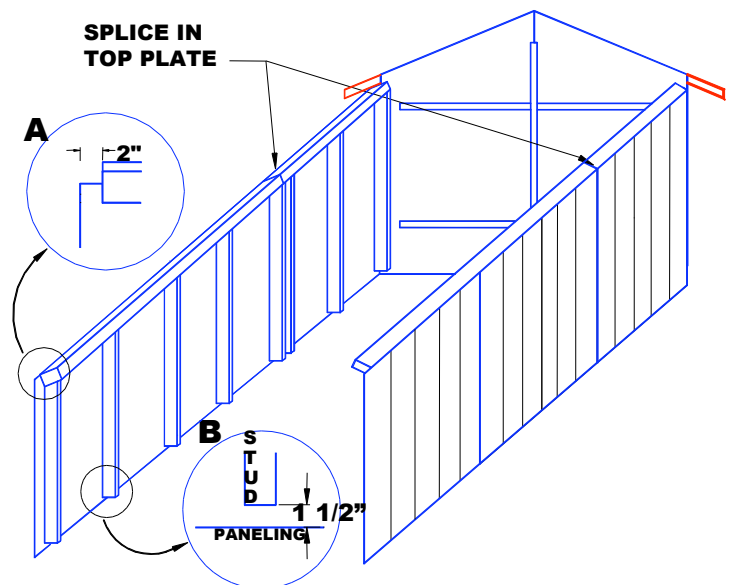


Nail the eight wall studs to the top wall plates, centered on your marks. As shown above, be certain to nail studs flush with the **outside** of the top plate.

### **STEP 5b:**

Stand the panel assemblies up so that the splice in the top plate is nearest to the rear wall.

**BASE PLATES OR FLOORS SOLD SEPERATLY AND MUST BE USED TO STABILIZE WALLS.**

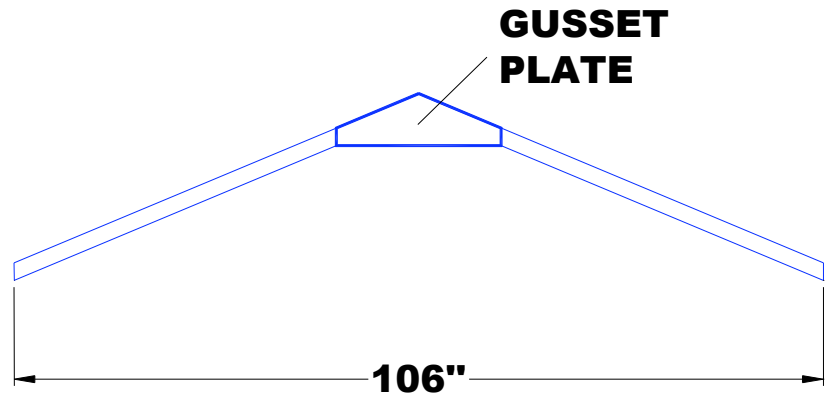


**Customer Service Hotline 1-800-465-2918  
NORFAB 4' Badger Extension Kit**

**STEP 10b:**

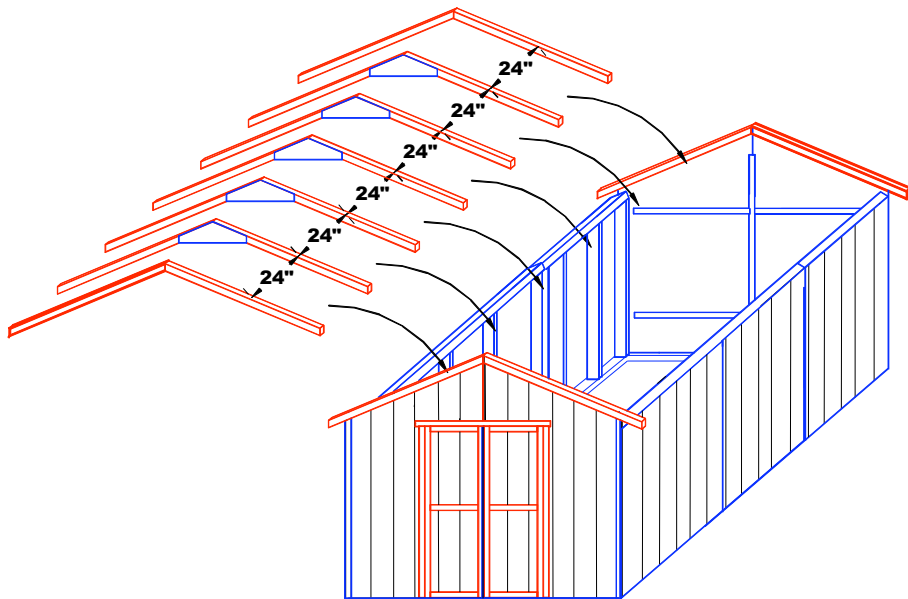
Assemble additional rafters as in Step 10.

**Note:** Rafters **must** be 106" wide from tail to tail.



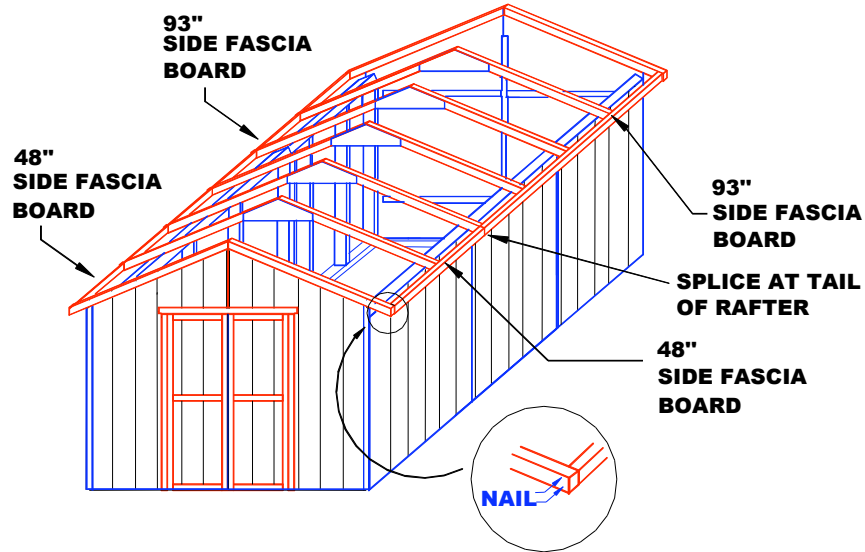
**STEP 11b:**

Stand the assembled rafters over the side walls, centering them on top of wall studs and nail them in place with 3" nails. Do not install a rafter over the wall stud that is holding the joint between the two wall plates together. It is suggested that you temporarily place a string from the peak of the front and rear fascia boards to help center the rafters over the shed.



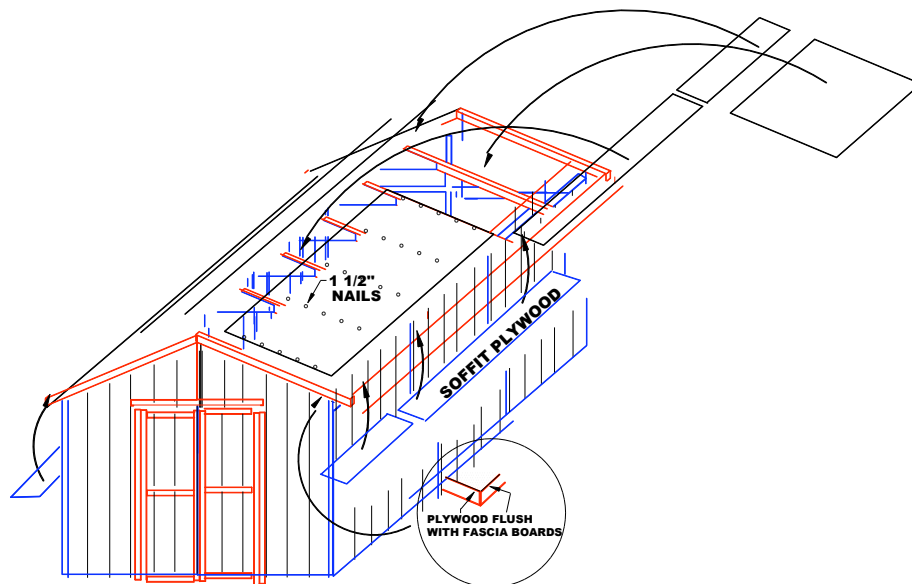
**STEP 12b:**

Nail the 93" side fascia boards and the 48" side fascia boards in place between the front and rear fascia boards with 3" nails. The 93" piece should be installed in the rear of the shed and the 48" installed in the front. Ensure that they are flush with the ends of the front and rear fascia rafters. Nail the to the ends of the rafters with 3" nails.



**STEP 13b:**

Install the 48" x 96" roof sheathing so that it is flush with the front and side fascia boards with 1 1/2" nails. Next, install the 11' x 96" roof sheathing at the peak. Finally, nail the two smaller pieces of roof sheathing in the rear of the shed. In addition, nail the plywood soffits underneath the eaves with the 48" long piece in the front of the shed using the 1 1/2" nails provided.



**Enjoy your new NORFAB shed!**

**Customer Service Hotline 1-800-465-2918**

**NORFAB 4' Badger Extension Kit**