

NORFAB 4' Cougar Extension Kit **Materials Checklist**

Norfab has taken great care to ensure all parts are of quality material and complete. Please check the unit over carefully. Should you experience any problems or have any questions, **DO NOT CALL THE STORE**, contact NorFab immediately at 1-800-465-2918.

Note: Actual floor size is 10' wide (front) x 11' 8-1/4" deep (sides).

2 - 4' x 4' side wall extension panels, EZ-Panel

2 – 33" x 48" sheets 7/16" OSB Roofing material

2 – 48" x 48" sheets 7/16" OSB Roofing material

2 - 2x3 x 48" Top plates

4 - 2x3 x 45" Wall studs

4 - 2x3 x 33" Rafter boards

4 - 2x3 x 48" Rafter boards

4 - Large gussets

8 - Small gussets

1 - Bag 3" coated nails



1 - Bag 1 1/2" coated nails



Sketches are not to scale.

See your dealer for your choice of flooring and roofing. **Be sure of actual floor size.**

Actual floor size is 10' wide (front) x 11' 8-1/4" deep (sides).

In order to incorporate this extension kit with the 10' x 8' Cougar Shed, replace the following seven steps with their corresponding steps found in the instruction manual provided with the 10' x 8' Cougar shed.

Customer Service Hotline 1-800-465-2918

NORFAB 4' Cougar Extension Kit

NORFAB 4' Cougar Extension Kit

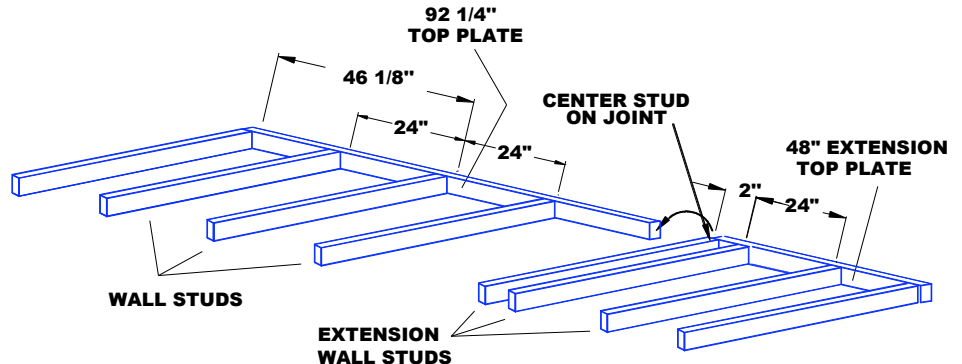
Instruction Manual

Norfab has taken great care to ensure all parts are of quality material and complete. Please check the unit over carefully. Should you experience any problems or have any questions, **DO NOT CALL THE STORE**, contact NorFab immediately at 1-800-465-2918.

Note: Actual floor size is 10' wide (front) x 11' 8-1/4" deep (sides).

STEP 5b:

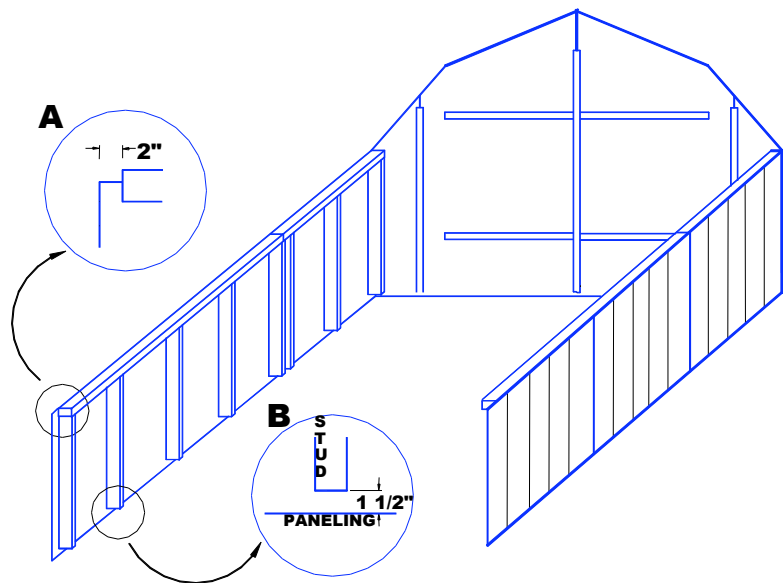
Lay out both two-piece top plates. Measure 46 1/8" in from the end of the 92 _" top plate to mark the center stud. Then measure 24" out from this point to mark the other two stud locations. On the 48" extension plate, mark 2" from its end to find the center point of the second extension wall stud and 24" from this point to mark the last stud location. The first extension wall stud must be centered on the joint between the two top wall plates to connect the top plates together. The end studs should be flush with the outside edge of the top plate.



Nail the eight wall studs to the top wall plates, centered on your marks.

STEP 6b)

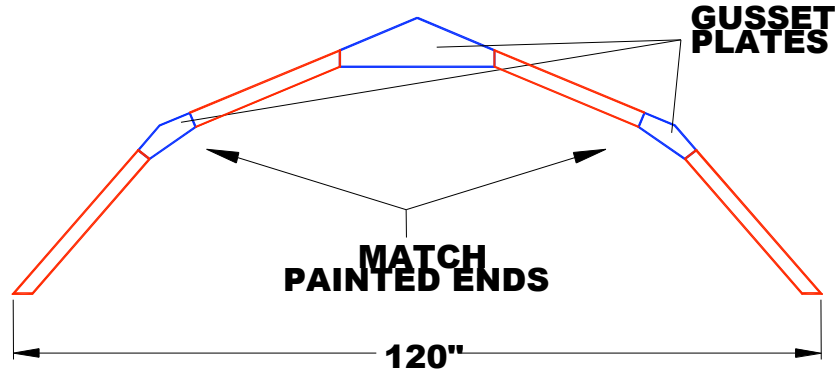
Splice in the top plate should be at the rear.



STEP 12b:

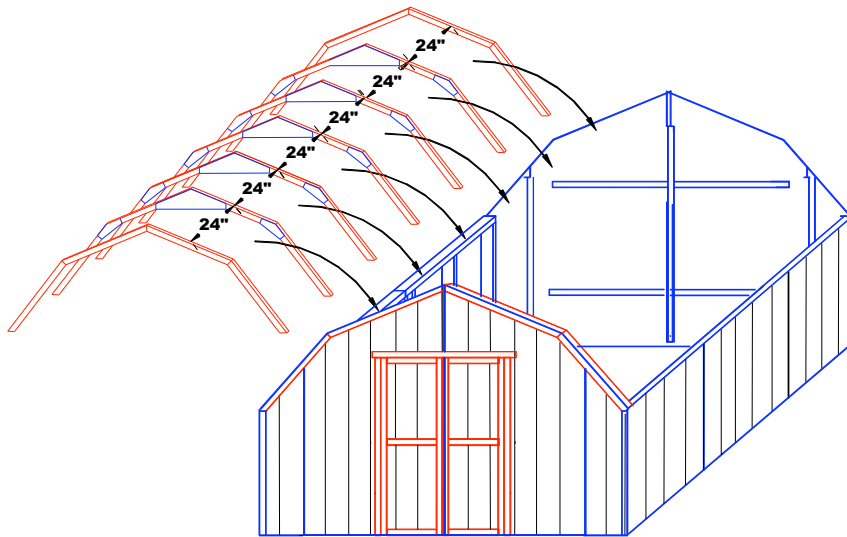
Assemble additional rafters as in step 12 of main instructions.

Note: Rafters must be 120" wide from tail to tail.



STEP 13b:

Stand the assembled rafters over the side walls, centering them on top of the wall studs and nail them in place with 3" nails. Do not install a rafter over the wall stud that is at the joint between the two top plates.



STEP 14b:

Install both lower 33" x 96" roof sheets so that they are flush with the front fascia boards and side walls with 1 1/2" nails. Next, install both 48" x 96" roof sheathing at the peak. Finally, nail the four smaller pieces of roof sheathing from this extension kit at the rear of the shed.

Enjoy your new NORFAB shed!

Customer Service Hotline 1-800-465-2918
NORFAB 4' Cougar Extension Kit