

18 Ft Natural GAZEBO

INSTRUCTIONS FOR ASSEMBLY

Norfab has taken great care to ensure all parts are of quality material and complete. Please check the unit over carefully. Should you experience any problems **DO NOT CALL** the STORE! Contact Norfab immediately at 1 800 465 2918 and they will look after you.

Updated **September 4, 2001**

Tools required for construction: hammer, Philips and No. 2 - Robertson screwdrivers or drill bits, utility knife, step ladder, tape measure, saw, stapler, and sand paper.

PLEASE READ INSTRUCTIONS CAREFULLY

Step 1:

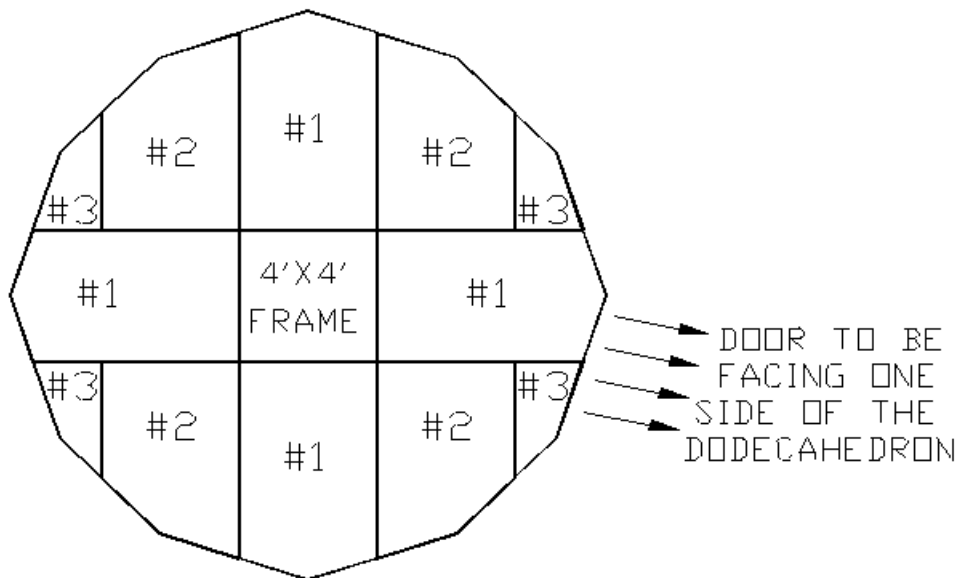
Make sure that the construction site is large enough to accommodate the gazebo. The structure when completed is 13' 9" high and is 17' 4" in diameter. The building site should be level to ensure proper fit of gazebo components.

Step 2:

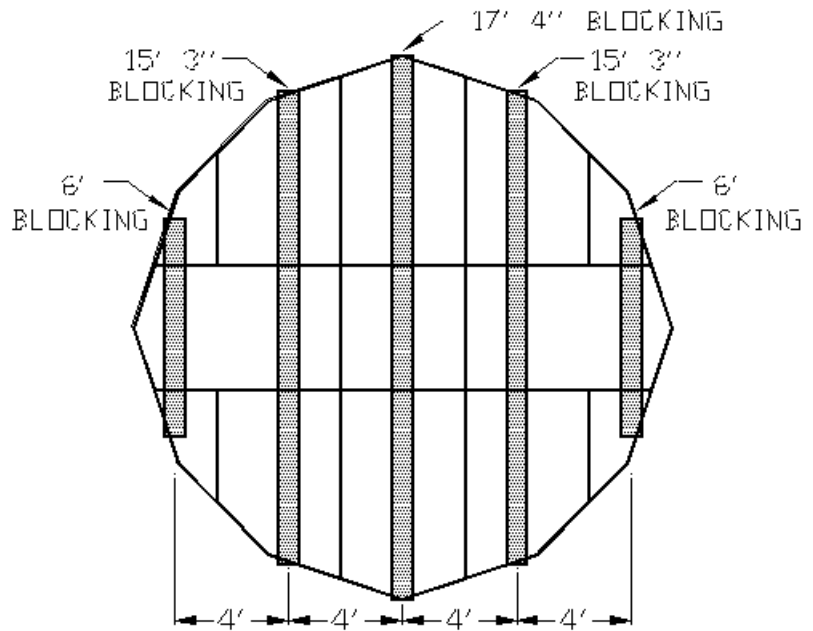
Unpack the gazebo. Please handle the lattice panels carefully. Use the materials list, found at the end of these instructions, to identify each part and group all floor sections, wall panels, and roof components in their respective groups. If you have any questions please contact Norfab at 1-800-465-2918

Step 3:

Lay out the floor sections in the desired location. The floor sections should be placed as shown here. Be certain that one of the sides of the 12-sided polygon is facing the desired direction of the door.



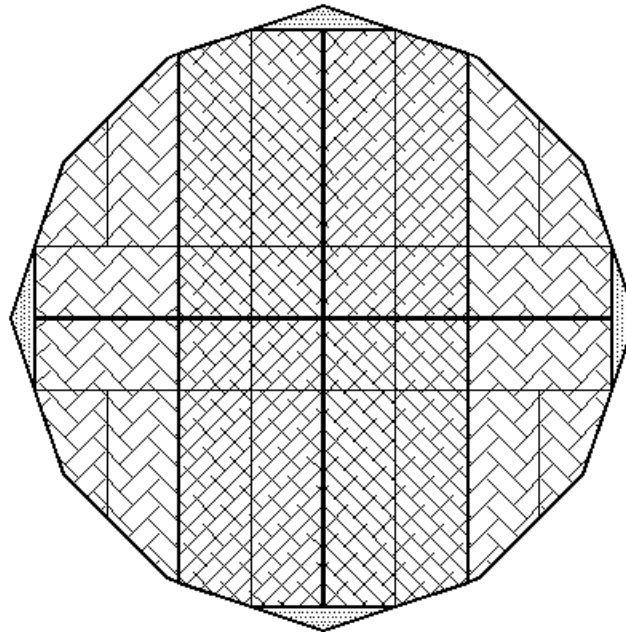
The floor system must be blocked up to ensure a level base. The figure to the right shows the suggested blocking. The blocking materials (not supplied) are one 18', two 16', and one 12' - 4"x 4" pressure treated timbers. Cut the 18' timber to 17' 4" and the two 16' timbers to 15' 3" and the remaining 12' timber into two 6' lengths. (Concrete or wood blocks are also suitable for blocking. A minimum of 32 blocks should be used to properly support the floor system, one under the each floor panel intersection, and one under each corner.)



Once the floor sections are blocked and level, nail all seams of the frame together with one row of 3" nails at 12" on center from both sides.

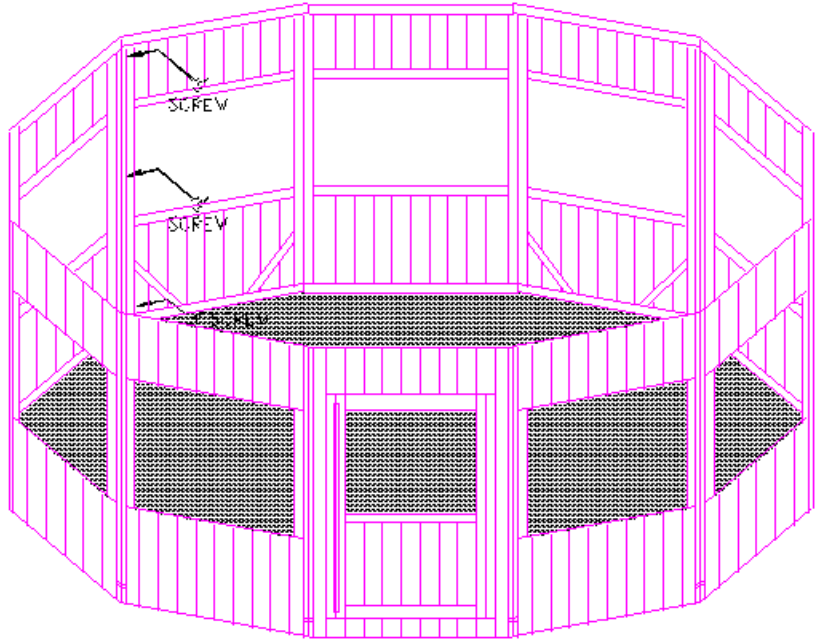
Step 4:

Sheath the floor sections with the 5/8" thick treated plywood provided. Install the four largest sheets at the center, the four "triangular" pieces adjacent to them, and finally the four small "wedges" on the corners. Use the 2" nails for nailing the plywood to the frame. Please note that small gaps around the perimeter of the frame are normal and will not effect the assembly, nor appearance of your gazebo.



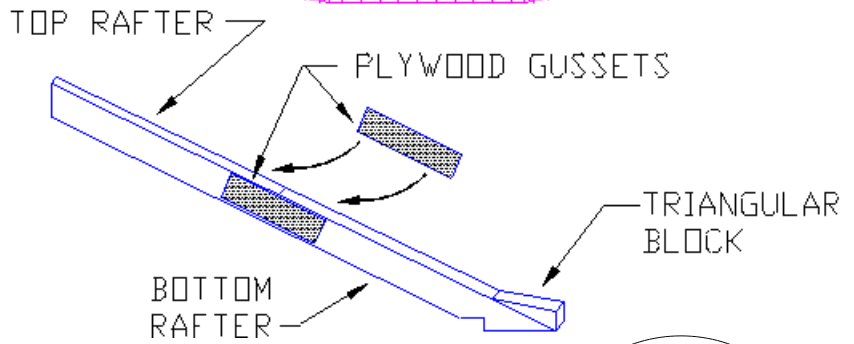
Step 5:

Stand up the door panel in its desired location, keeping the outside of the framing flush with edge of the floor framing. Erect the panels that have angled braces on either side of the door panel and then alternating with those without angled braces to complete the 12-sided polygon. Fasten the wall panels together with three 3" screws, one at the top, middle and bottom of each wall panel. After all wall panels have been erected nail each section to the floor with two 3" nails. If the panels do not line up properly, check blocking to ensure the floor system is level and that the walls are plumb.



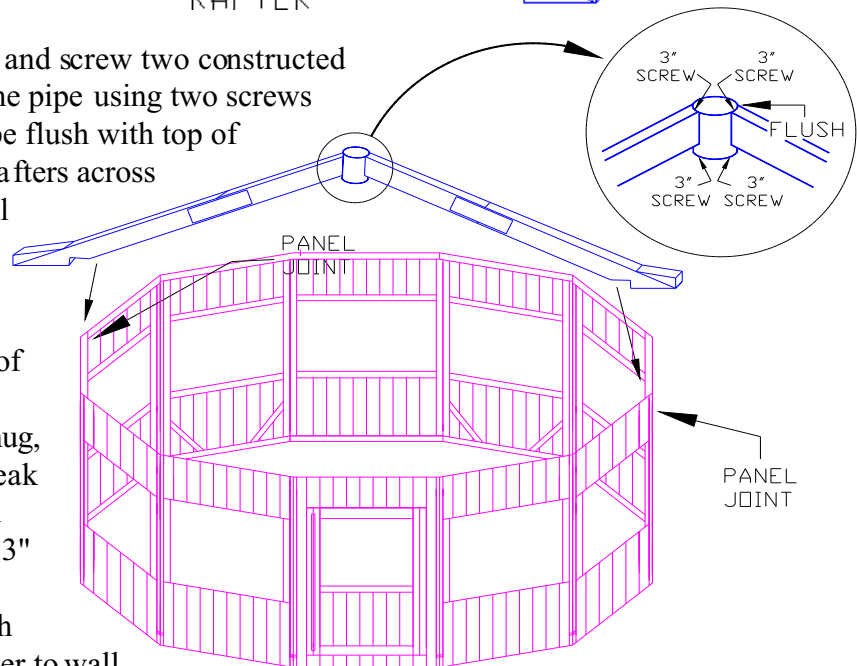
Step 6:

Assemble the twelve roof rafters, as illustrated to the right, using the top and bottom 2"x 6" rafter pieces. Join them together by nailing a 5"x 24" plywood gusset plate to each side of the rafters with 2" nails. Next nail a triangular block to the base of each rafter, flush with its end, with 3" nails.



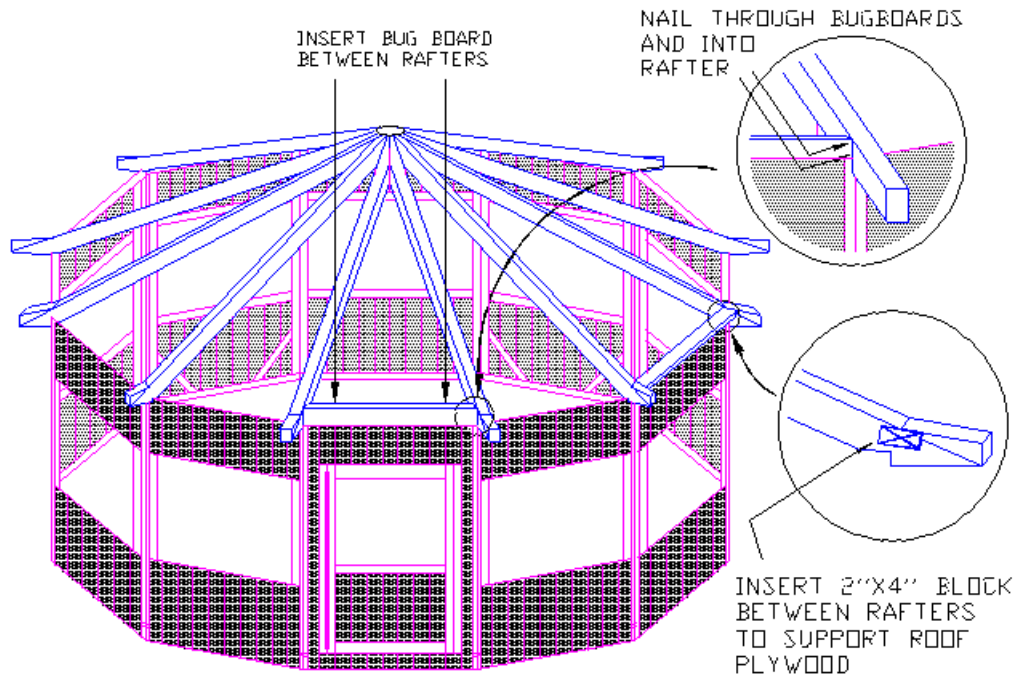
Step 7:

To erect the roof, take the roof peak (a piece of 6" pipe, 6" long) and screw two constructed rafters to it on opposite sides of the pipe using two screws for each rafter, keeping top of pipe flush with top of rafter. Place the two assembled rafters across the gazebo diagonally at the panel joints. The notch at the tail end of the rafter should fit snug against the outer edge of the wall perimeter. Make sure the center of the rafters line up with the panel joints. If the notch does not fit snug, either push wall out or the roof peak up, to make them fit well. Fasten each rafter to the wall panel with 3" nails. Fasten remaining rafters to roof peak with two screws in each rafter and two nails fastening rafter to wall perimeter.



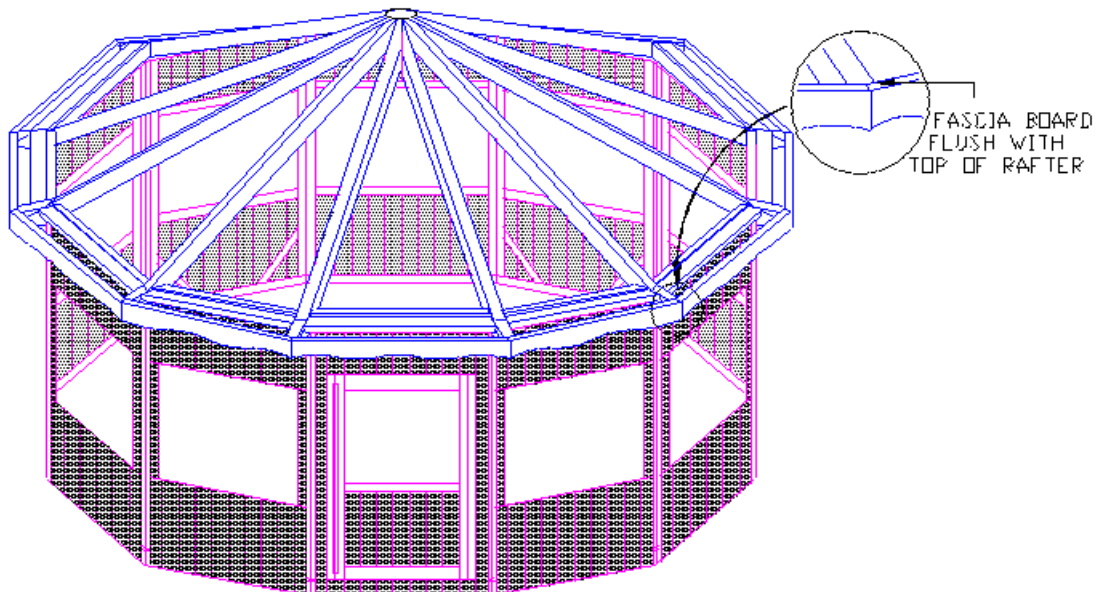
Step 8:

The bug boards must be installed before the roof plywood is put on. The bug boards are placed between each rafter, resting on top of the cedar wall paneling, and should be nailed to each rafter with finishing nails. Also install the 2"x 4" blocking pieces between the rafters with 3" nails, flush with the top face of the triangular blocks, to support the roof plywood joint.



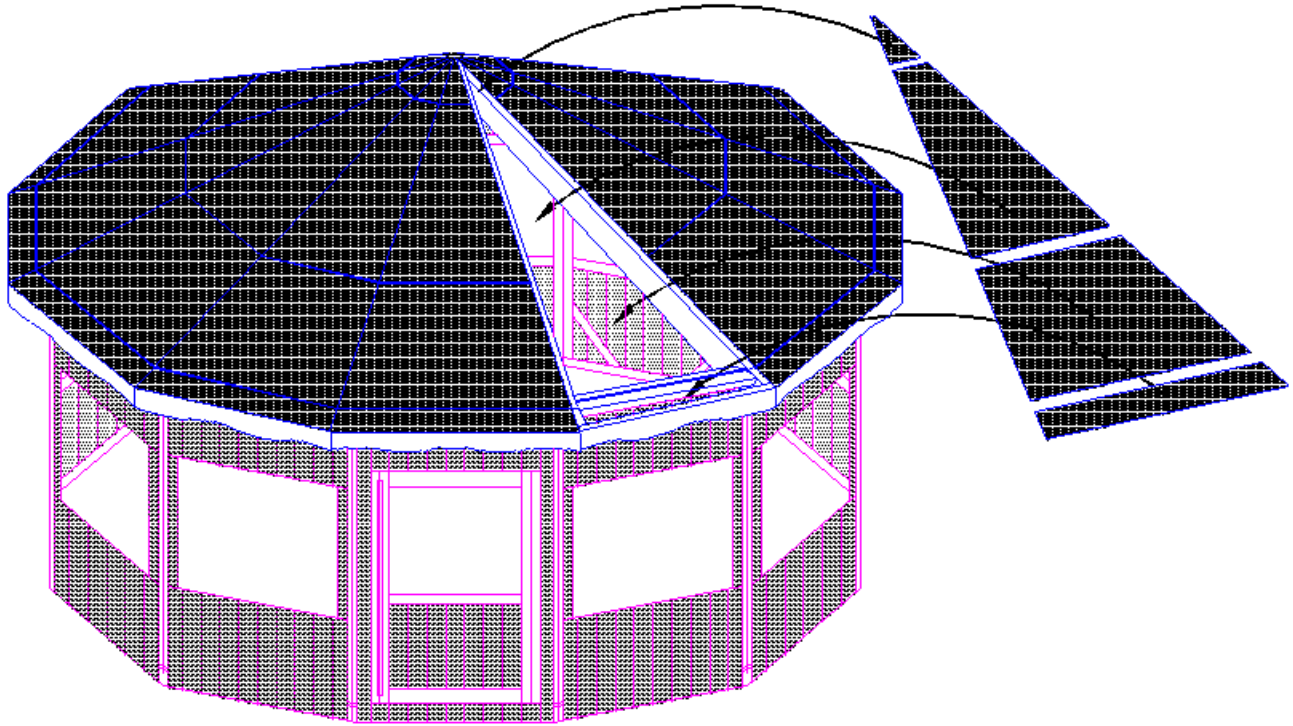
Step 9:

Install wavy edge fascia boards keeping the top of the fascia flush with the top of the rafter.



Step 10:

Sheath the roof with 1/2" plywood, keeping the bottom edge of the plywood flush with the fascia. It is important when installing the roof sheathing that each section of plywood meets its adjacent section at the center of each roof rafter. Install the twelve bottom sheets of plywood first, flush with the edge of the fascia boards, and then proceed to install the next two rows of plywood, and finally the triangular pieces at the peak of the roof. If you climb on the roof for any reason, distribute your weight onto the roof rafters. Shingle roof with your choice of shingles.



Step 11:

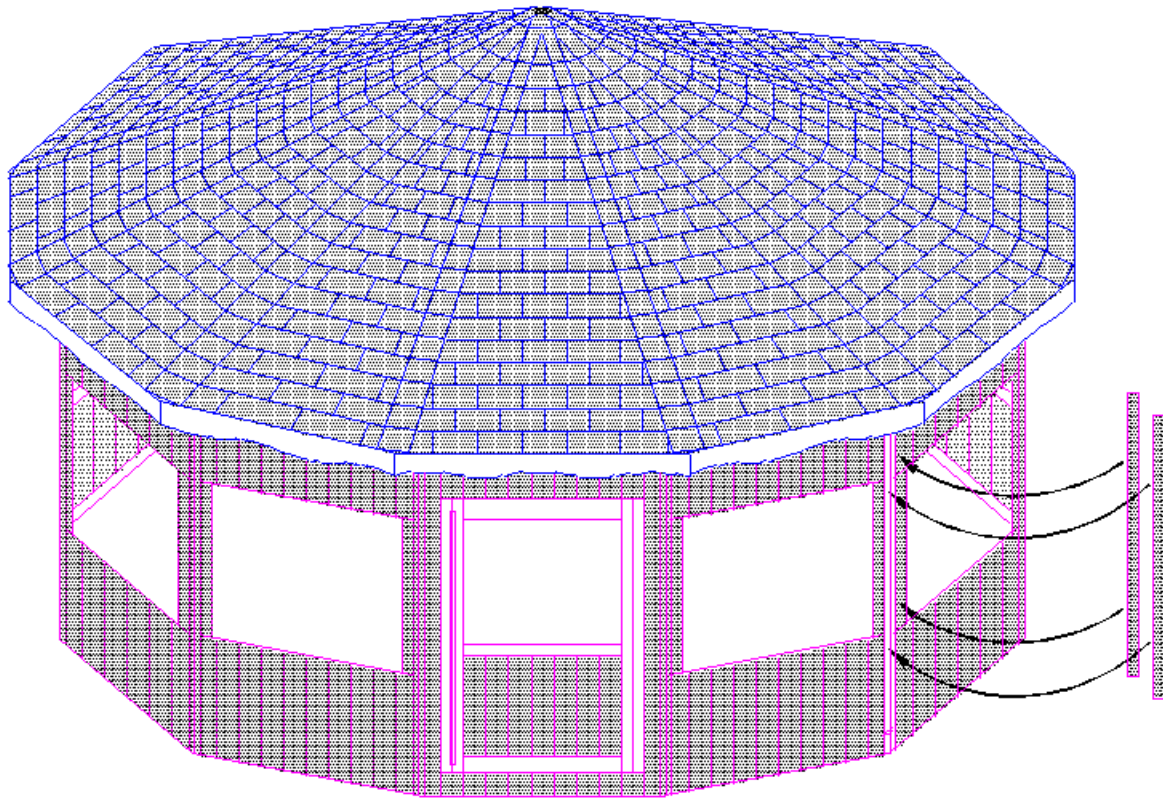
Install the door latch .

Step 12:

Cut pieces of screen approximately 3" wider than the lattice panels and tightly wrap each screen across the inside face of each lattice panel. Attach the screens to the lattice panels by wrapping the screen around the edges of the panels and stapling them to the outer perimeter. Install lattice panels with the screen towards the inside and keeping the outside of the panel flush with the exterior cedar wall. Use 2" finishing nails or screws of your choice attach the lattice panels to the wall. Staple a piece of screen to the outside face of the door and use the 33 1/4" horizontal screen moldings and the 46" vertical screen moldings to attach the screen to the door.

Step 13:

Nail two vertical corner boards to each wall panel joint using finishing nails.



Step 14:

Install door closer as per instructions in package .

Step 15:

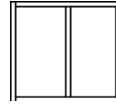
To preserve the beauty of your cedar Gazebo you must stain or varnish it before assembly or within a few days of installation. You may want to sand any rough edges, and stamps, to produce a better finish. We also recommend that you caulk all the seams to ensure a good bug proof fit.

Materials List for the 18' GRAND Gazebo

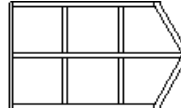
Norfab has taken great care to ensure all parts are of quality material and complete. Please check the unit over carefully. Should you experience any problems DO NOT CALL the STORE! Contact Norfab immediately at 1 800 465 2918 and they will look after you.

QTY DESCRIPTION

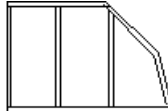
Floor system:1 4'x4' floor section
(Pkg 2)



4 #1 floor sections
(1 in pkg 1 & 3 in Pkg 2)



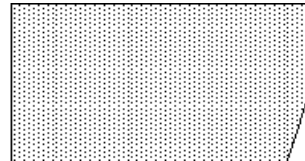
4 #2 floor sections
(4 in Pkg 2)



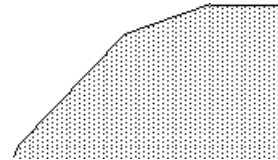
4 #3 floor sections
(4 in Pkg 2)



4 sheets 5/8" treated plywood
(2 in Pkg 1 & 2 in Pkg 2)



4 Triangular, 5/8" treated plywood
(4 in Pkg 2)

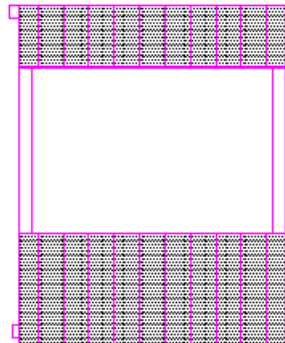


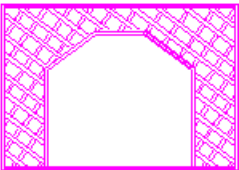
4 Wedges, 5/8" treated plywood
(4 in Pkg 2)

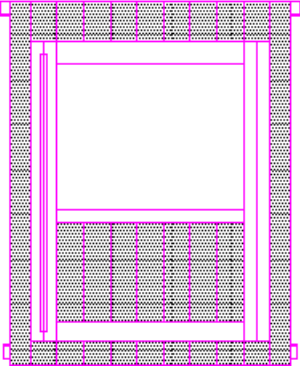



Wall Panels:


11 Wall panels
(11 in Pkg 1)

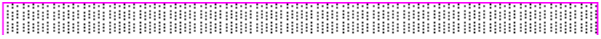


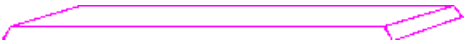
- 11 Lattice panels
(11 in Pkg 1) 

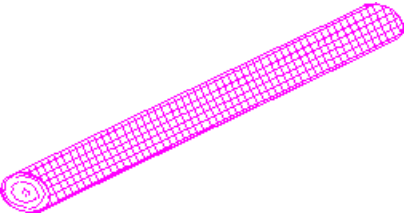
- 1 Door panel with door
(Pkg 2) 

- 2 46" door screen moldings
(2 in Pkg 1) 


- 2 33 1/4" door screen moldings
(2 in Pkg 1) 

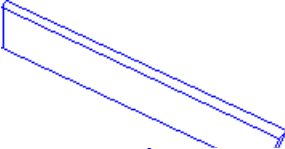
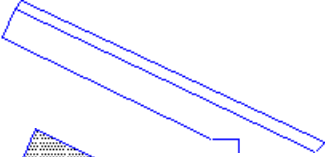
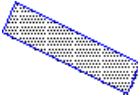


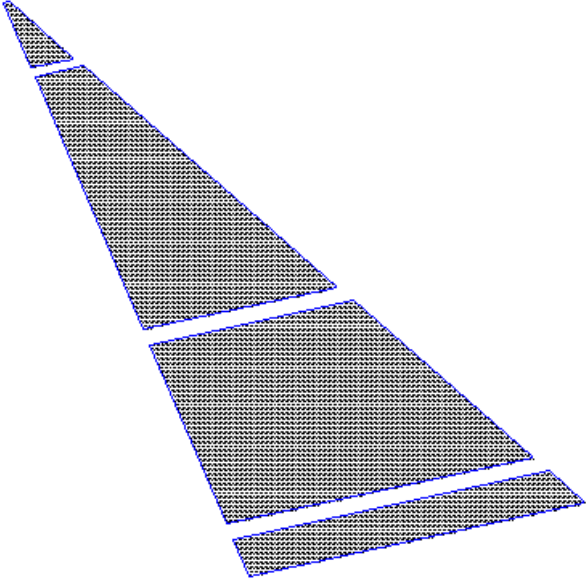
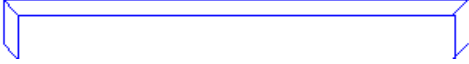

- 24 Cedar corner boards
(24 in Pkg 1) 

- 12 Bug boards
(12 in Pkg 1) 

- 1 Roll of screen
(Pkg 1) 

Roof Components:

- 1 Roof peak (4" piece of 6" pipe)
(Pkg 1) 

12	Top rafter pieces (12 in Pkg 2)	
12	Bottom rafter pieces (12 in Pkg 2)	
24	5" x 24" Plywood gusset plates (24 in Pkg 2)	
12	Triangular blocks (12 in Pkg 2)	
12	1/2" plywood triangles (12 in Pkg 2)	
12	1/2" plywood sheathing (12 in Pkg 2)	
12	1/2" plywood sheathing (12 in Pkg 2)	
12	1/2" plywood sheathing (12 in Pkg 2)	
12	1/2" plywood sheathing (12 in Pkg 2)	
12	2"x 4" x 48 1/2" Roof blocking (12 in Pkg 2)	
12	Wavy edge fascia boards (12 in Pkg 1)	
Other: (All in Pkg 1)		
1	Door latch	
1	Door closer	
1	Bag 3" nails (although your unit comes with nails you may wish to use to use screws instead)	
1	Bag 2" nails	
1	Bag finishing nails	
1	Bag 3" screws	

Inspected by: _____ **Date:** _____