

14 Ft Natural GAZEBO

INSTRUCTIONS FOR ASSEMBLY

Norfab has taken great care to ensure all parts are of quality material and complete. Please check the unit over carefully. Should you experience any problems DO NOT CALL the STORE! Contact Norfab immediately at 1 800 465 2918 and they will look after you.

Updated July 5, 2000

Tools required for construction: hammer, Philips and No. 2 - Robertson screwdrivers or drill bits, utility knife, step ladder, tape measure, saw, stapler, and sand paper.

PLEASE READ INSTRUCTIONS CAREFULLY

Step 1:

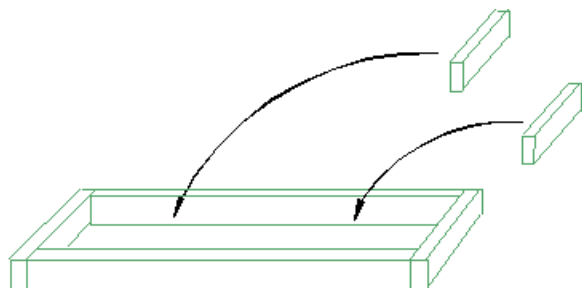
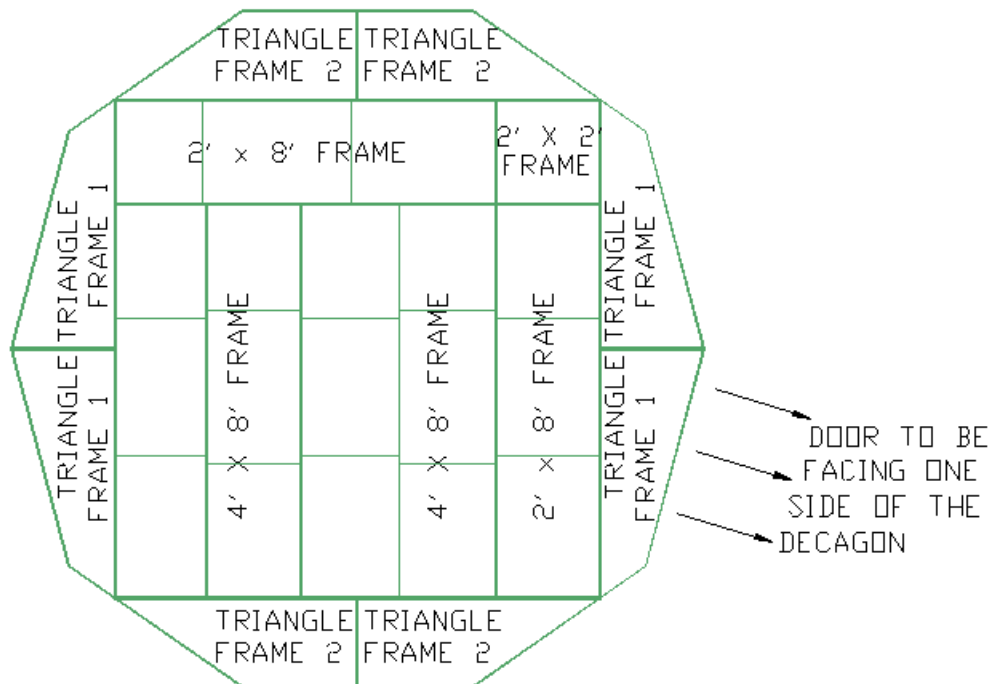
Make sure that the construction site is large enough to accommodate the gazebo. The structure when completed is 10 ft. high and is 14'7" in diameter. The building site should be level to ensure proper fit of gazebo components.

Step 2:

Unpack the gazebo. Please handle the lattice panels carefully. Use the materials list, found at the end of these instructions, to identify each part and group all floor sections, wall panels, and roof components in their respective groups. If you have any questions please contact Norfab.

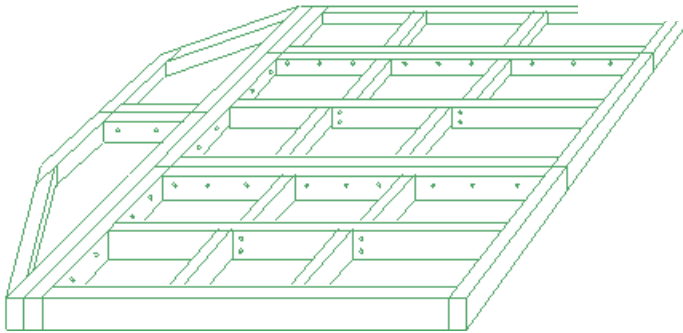
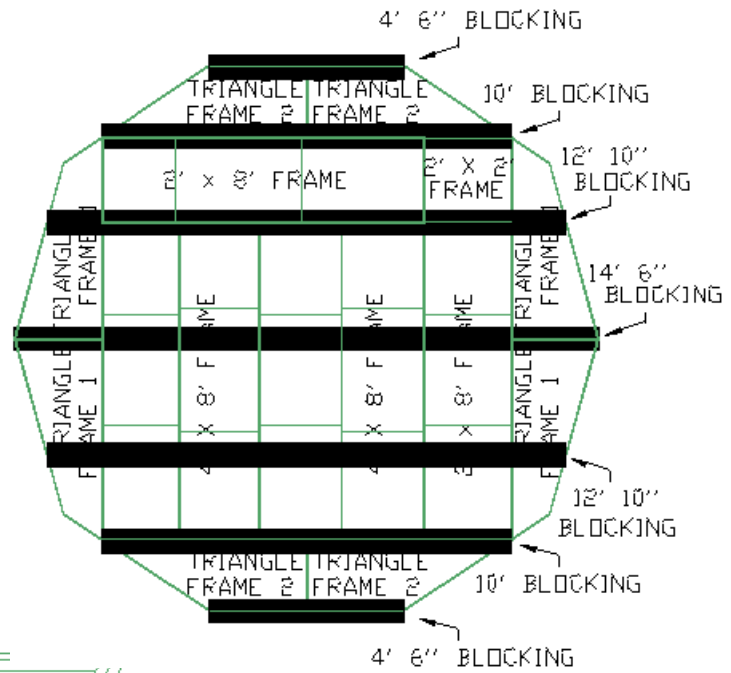
Step 3:

Lay out the floor sections in the desired location. The floor sections should be placed as shown here. Be certain that one of the sides of the decagon is facing the desired direction of the door.



For packing purposes, one of the two 4x8' frames does not have its 2" x 4" x 21 3/4" cross blocking installed. Nail the four provided 2" x 4" blocking material into place with 3" nails as previously installed with the other 4x8' frame.

The floor system must be blocked up to ensure a level base. The figure to the right shows the suggested blocking. The blocking materials (not supplied) are three 16' and two 14' - 4" x 4" pressure treated timbers. Cut one of the 16' timbers to 14' 6" and the remaining two of them to 10 ft. and 4'6" lengths, cut the 14' - 4" x 4" timber to 12' 10". (Concrete or wood blocks are also suitable for blocking. A minimum of 29 blocks should be used to properly support the floor system, one under the each floor panel intersection, and one under each corner.)



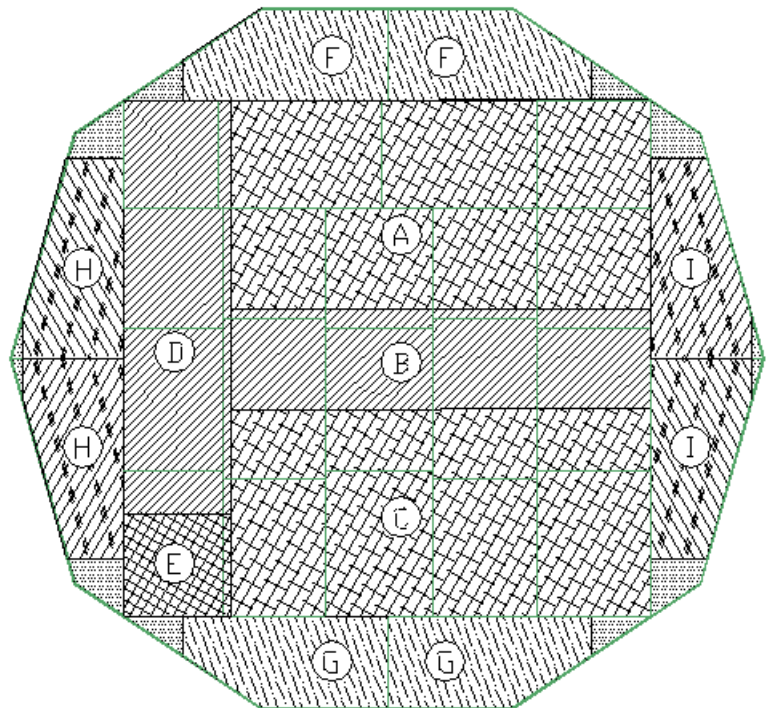
Once the floor sections are blocked and level, nail seams together with one row of 3" nails at 12" on center from both sides as shown to the left with the two 4'x8' frames, one 2'x8' frame, and two "No. 2" triangular frames.

Step 4:

Sheath the floor sections with the 5/8" thick

treated plywood provided. Install the sheets in sequence from "A" to "I" as shown to the right. Use the 2" nails for nailing the plywood to the frame.

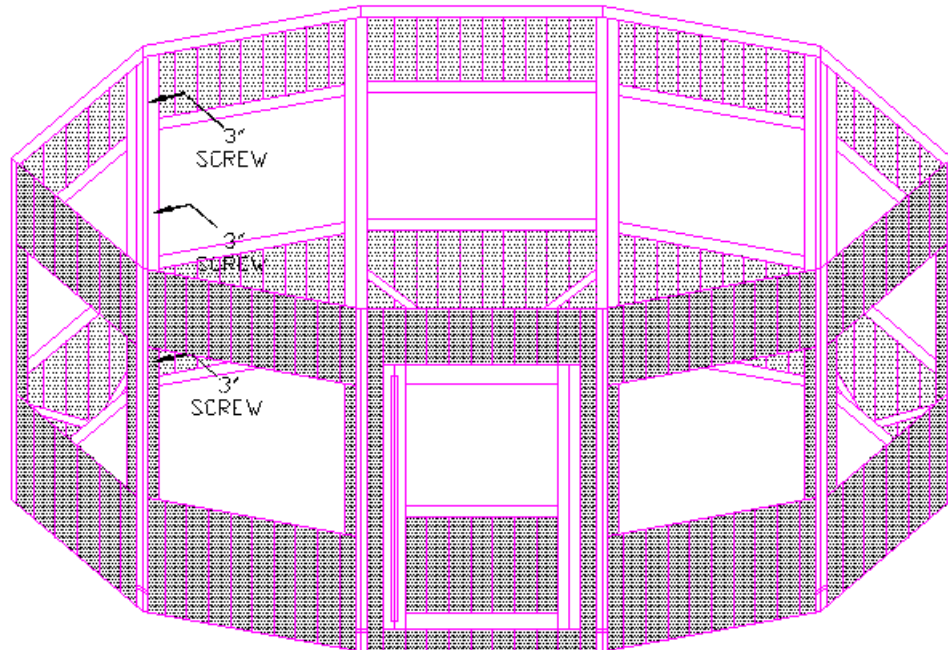
Please note that small gaps around the perimeter of the frame are normal and will not effect the assembly, nor appearance of your gazebo.



Step 5:

Stand up the door panel in its desired location, keeping the outside of the framing flush with edge of the floor framing. Erect the panels that have angled braces on either side of the door panel and then alternating with those without angled braces to complete the decagon. Fasten the wall panels together with three 3" screws, one at the top, middle and bottom of each wall panel.

After all wall panels have been erected nail each section to the floor with two 3" nails. If the panels do not line up properly, check blocking to ensure the floor system is level and that the walls are plumb.



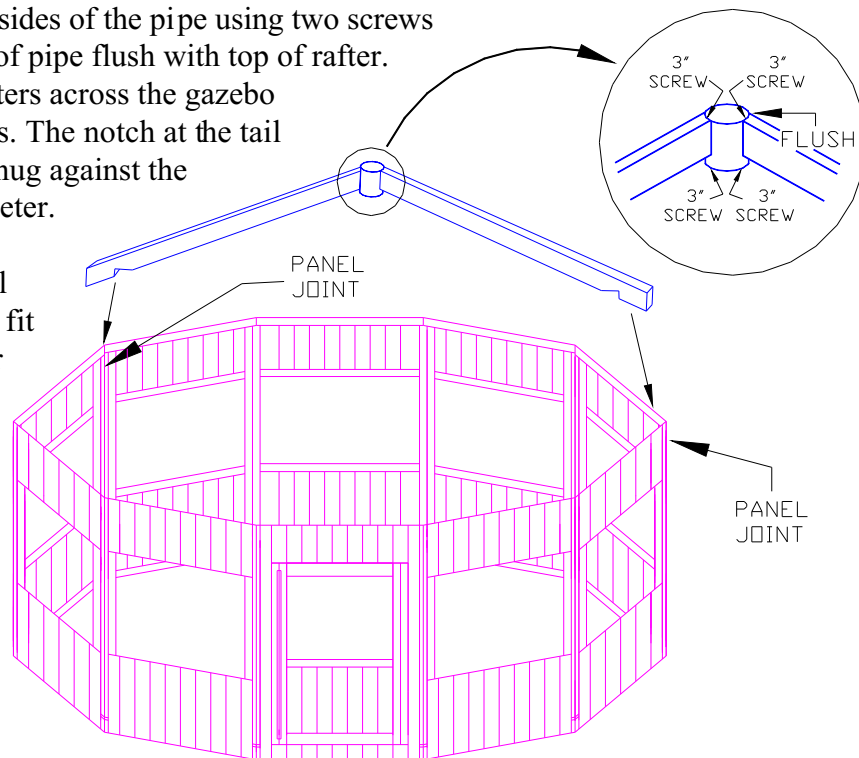
Step 6:

To erect the roof, take the roof peak (a piece of 4" pipe, 3 3/4" long) and screw two rafters to it on opposite sides of the pipe using two screws for each rafter, keeping top of pipe flush with top of rafter.

Place the two assembled rafters across the gazebo diagonally at the panel joints. The notch at the tail end of the rafter should fit snug against the outer edge of the wall perimeter.

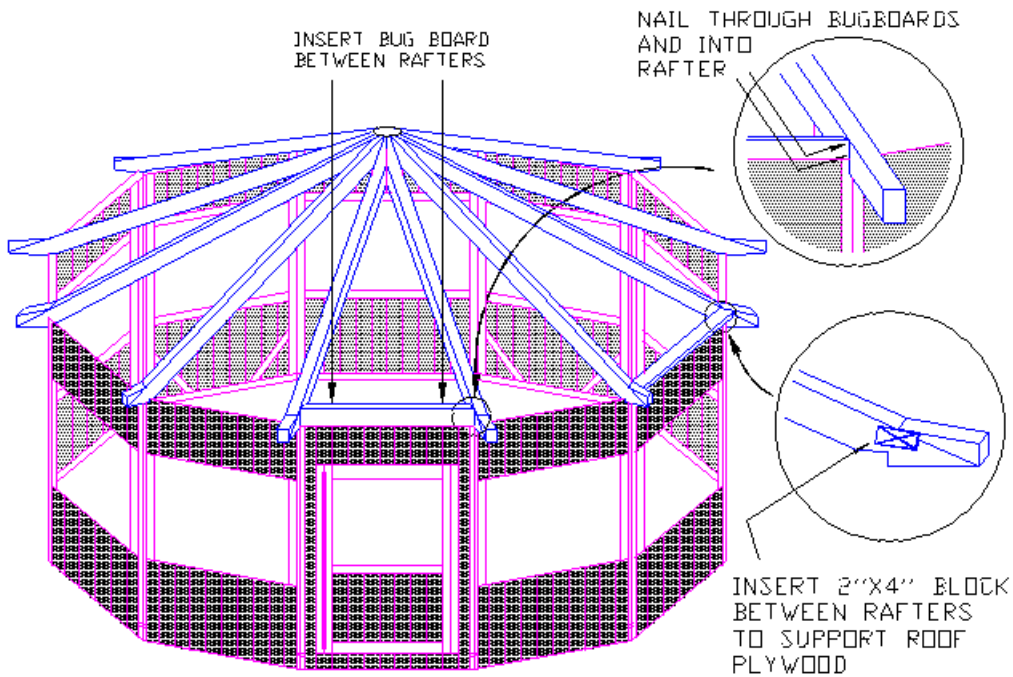
Make sure the center of the rafters line up with the panel joints. If the notch does not fit snug, either push wall out or the roof peak up, to make them fit well.

Fasten each rafter to the wall panel with 3" nails. Fasten remaining rafters to roof peak with two screws in each rafter and two nails fastening rafter to wall perimeter.



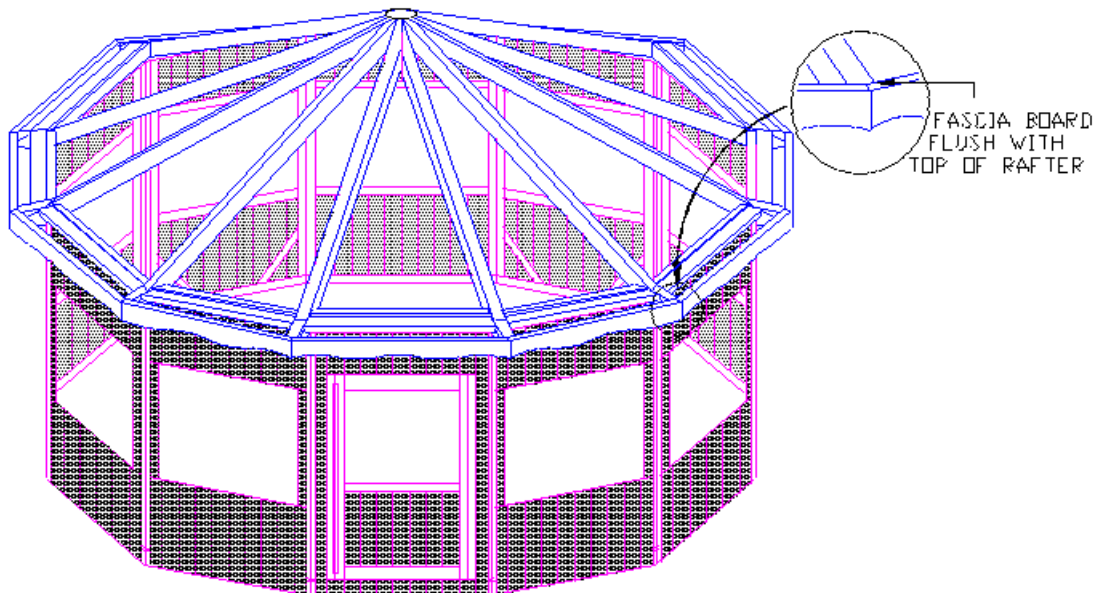
Step 7:

The bug boards must be installed before the roof plywood is put on. The bug boards are placed between each rafter, resting on top of the cedar wall paneling, and should be nailed to each rafter with finishing nails.



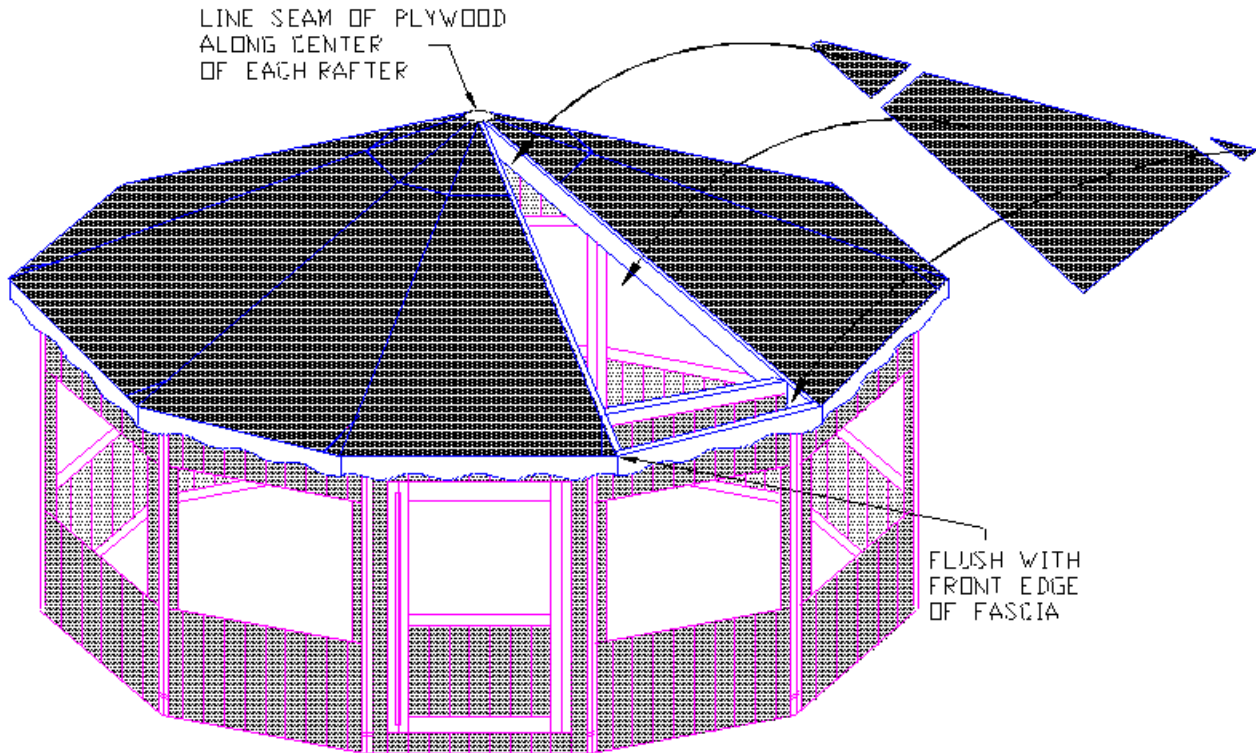
Step 8:

Install wavy edge fascia boards keeping the top of the fascia flush with the top rafter.



Step 9:

Sheath the roof with ½" plywood, keeping the bottom edge of the plywood flush with the fascia. It is important when installing the roof sheathing that each section of plywood meets its adjacent section at the center of each roof rafter. Install all of the largest sheets of plywood first, place the H clips (not shown) between the upper and lower sheets, and then proceed to install the triangular pieces at the peak of the roof, and finally the small wedges at the base of the roof. If you climb on the roof for any reason, distribute your weight onto the roof rafters. Shingle roof with your choice of shingles.



Step 10:

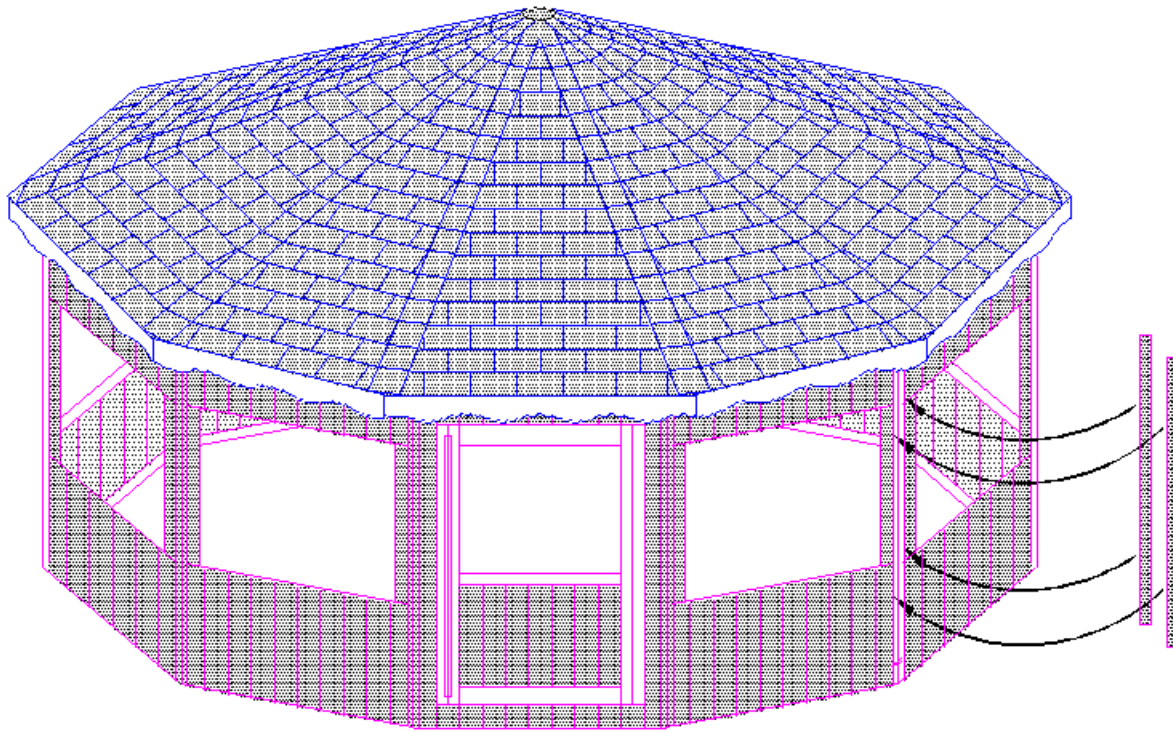
Install the door latch following the directions on the package.

Step 11:

Cut pieces of screen approximately 3" wider than the lattice panels and tightly wrap each screen across the inside face of each lattice panel. Adhere the screens to the lattice panels by wrapping the screen around the edges of the panels and stapling them to the outer perimeter of each panel. Install lattice panels with the screen towards the inside and keeping the outside of the paneling flush with the exterior cedar wall paneling. Use 2" finishing nails to attach the lattice panels to the wall panels. Staple a piece of screen to the outside face of the door and use the 33 ¼" horizontal screen moldings and the 46" vertical screen moldings to attach the screen to the door.

Step 12:

Nail two vertical corner boards to each wall panel joint using finishing nails.



Step 13:

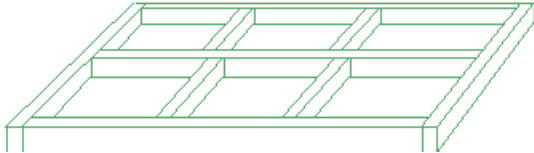

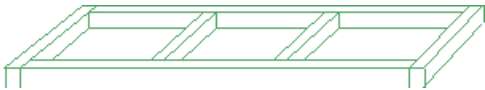

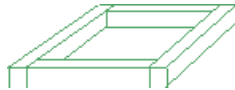

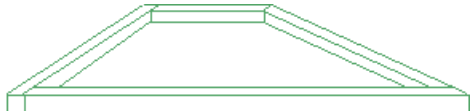
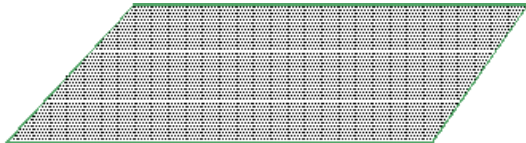
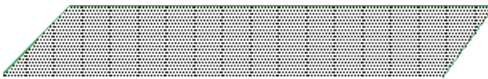
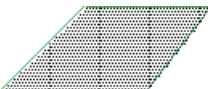
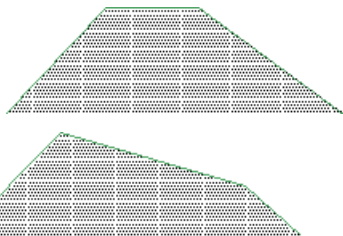
Install door closer as per instructions in package, except instead of using the screws supplied with door closure, use 1½” screws to attach to the wall and bolts to attach it to the door.

Step 14:

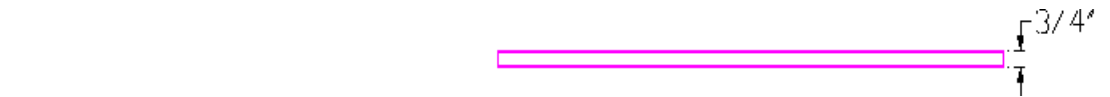
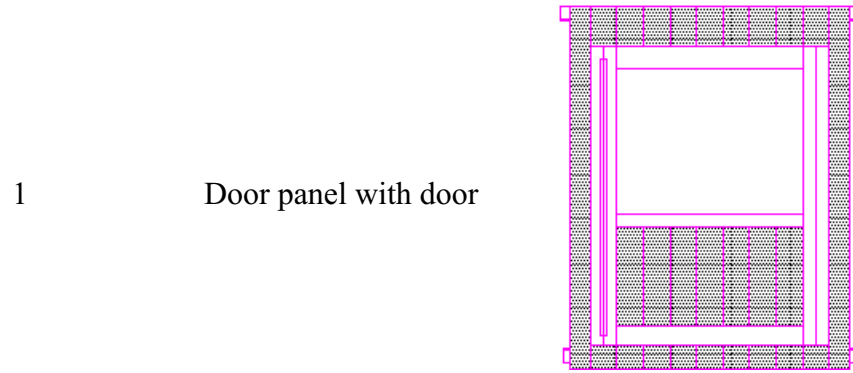
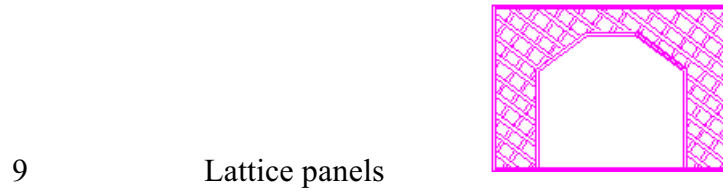
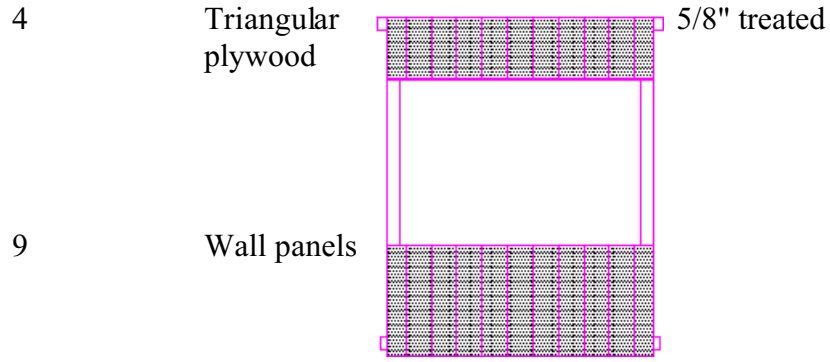
To preserve the beauty of your cedar Gazebo you must stain or varnish it within a few days of installation. You may want to sand any rough edges, and stamps, to produce a better finish. We also recommend that you caulk all the seams to ensure a good bug proof fit.

Materials List for the 14' Natural Gazebo

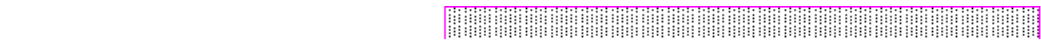
Norfab has taken great care to ensure all parts are of quality material and complete. Please check the unit over carefully. Should you experience any problems **DO NOT CALL** the STORE! Contact Norfab immediately at 1 800 465 2918 and they will look after you.

	QTY	DESCRIPTION	
Floor system:	1	4'x8' floor section with blocking installed	
	1	4'x8' floor section with no blocking installed	
	1	2' x 8' floor section with blocking	
	4	2" x 4" x 21 3/4" blocks	
	1	2' x 2' floor section	
	4	No. 1 triangular sections	 floor
	4	No. 2 triangular sections	 floor
	2	4'x8' sheets 5/8" treated plywood	
	2	2'x8' sheets 5/8" treated plywood	
	1	2'x2' sheet 5/8" treated plywood	
	4	Triangular 5/8" treated plywood	

Wall Panels:

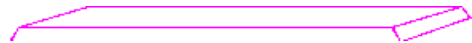


moldings

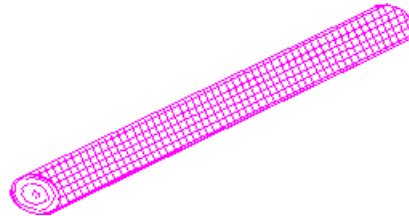


20 Cedar corner boards


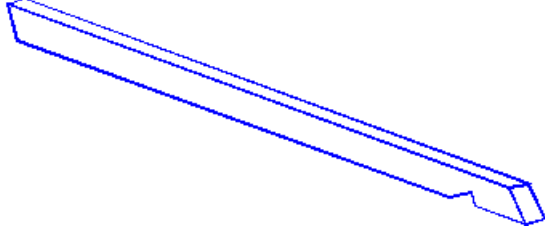
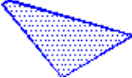
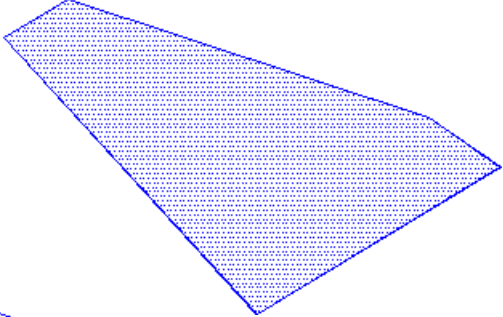
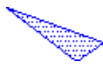

10 Bug boards



1 Roll of screen



**Roof
Components:**

- 1 Roof peak (3 3/4" piece of 4" pipe) 
- 10 Rafters 
- 10 1/2" plywood triangles 
- 10 1/2" plywood sheathing 
- 10 1/2" plywood wedges 
- 10 Wavy edge fascia boards 

Other:

- 1 H Clips
- 1 Door latch
- 1 Door closer
- 1 Bag 3" nails
- 1 Bag 2" nails
- 1 Bag finishing nails
- 1 Bag 3" screws

Inspected by: _____ Date: _____